



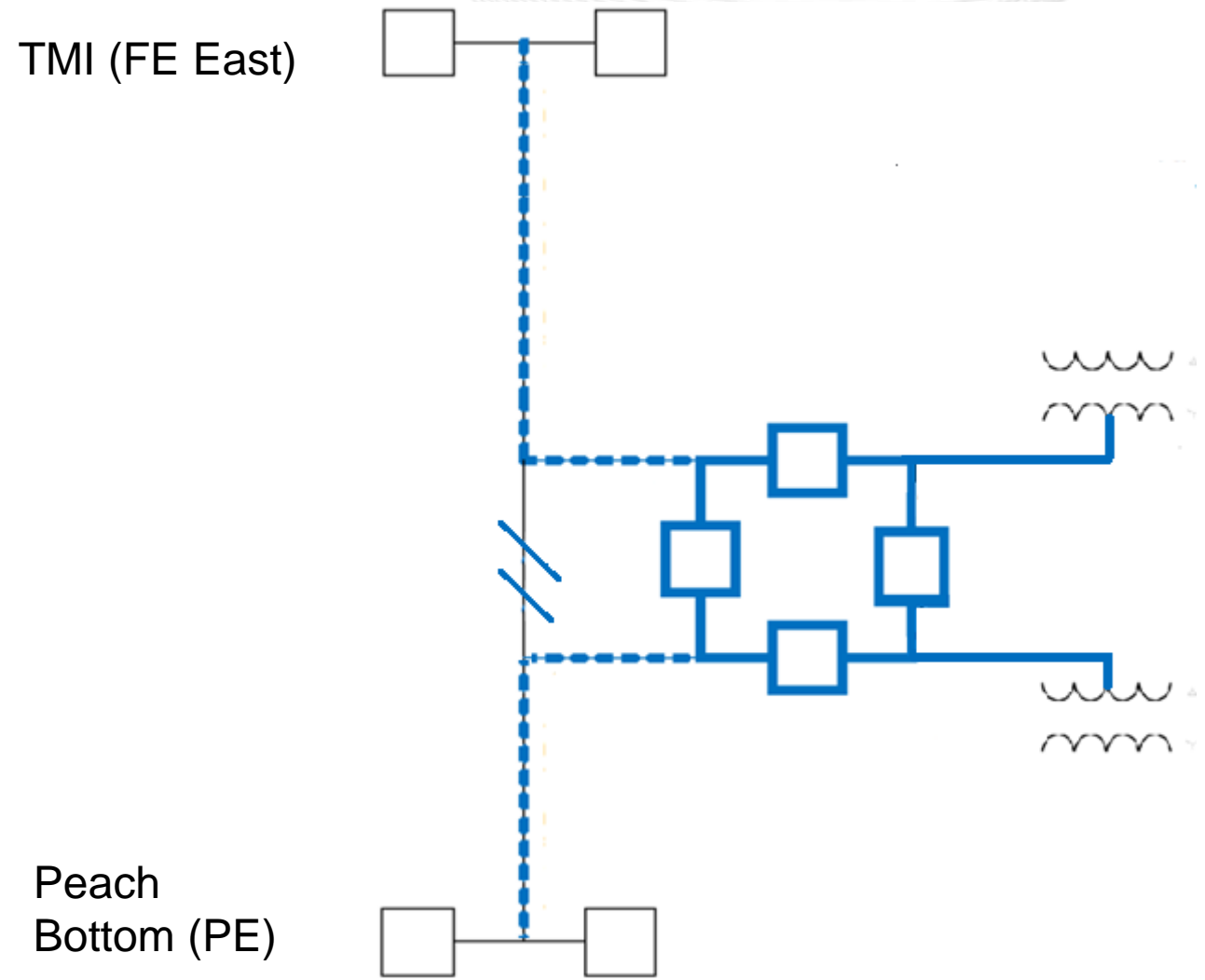
Furnace Run Substation 500 kV Line Designation

Yuri Smolanitsky
Sr. Engineer, Transmission Operations



- Project Summary
 - PJM Baseline RTEP project b2752.1-b2752.9
- Project Purpose and Necessity
 - Market efficiency / Congestion Relief
- Expected In-Service Date:
 - Spring 2020

- Tap the Peach Bottom – TMI 500 kV line & create new Furnace Run 500 kV & 230 kV stations. Install two 500/230 kV transformers.
- Designation of TMI-Furnace Run 500 kV changing to 5069.
- Designation of Peach Bottom-Furnace Run remains the same 5007.



Furnace Run 500 and 230 kV (Transource)