

# BGE Special Protection System (SPS)

Mays Chapel 115 kV Circuit 110509

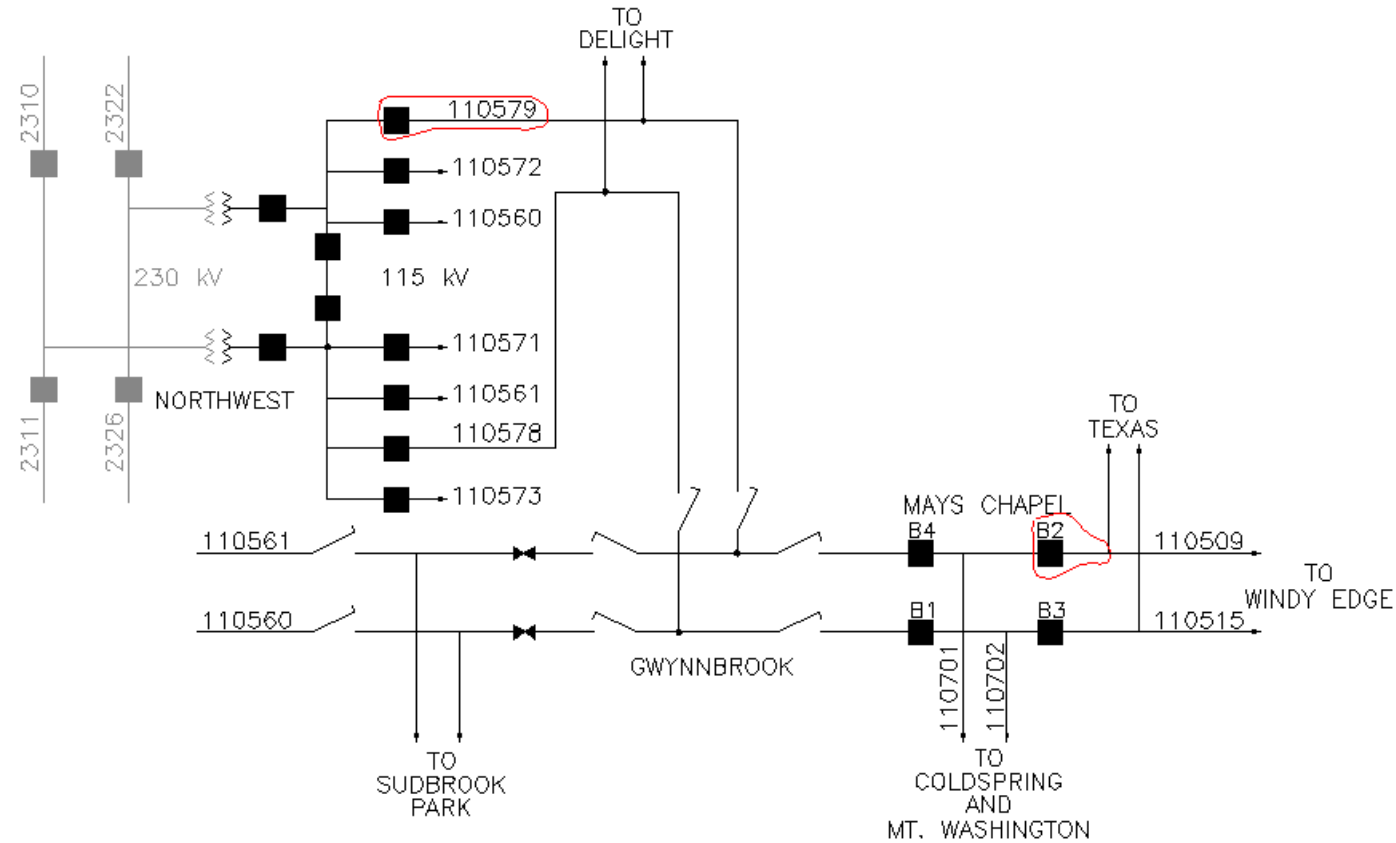
September 2010

# Mays Chapel 115 kV Circuit 110509

## SPS

- Baseline Project: b0827 (6/1/2011)
- Condition:
  - Any contingency in which 110579 circuit is open ended at Northwest substation.
  - 110509 circuit section between Mays Chapel and Texas substation overloads, as power flows only from Windy Edge switchyard.
- Solution
  - Implement an SPS scheme to measure current on Mays Chapel breaker B2 which reflects 110509 circuit section current between Mays Chapel and Texas.
  - SPS scheme will open breaker B4 when the circuit section reaches rating limit.

# Mays Chapel SPS



## •Special Protection System (SPS)

- This SPS shall open the Mays Chapel breaker B4 when 110509 circuit section between Texas and Mays Chapel reaches rating limit.
- This SPS shall be redundant, automatic, and local to Mays Chapel.
- Provisions shall be made for manual control so that the SPS can be disabled for switching.