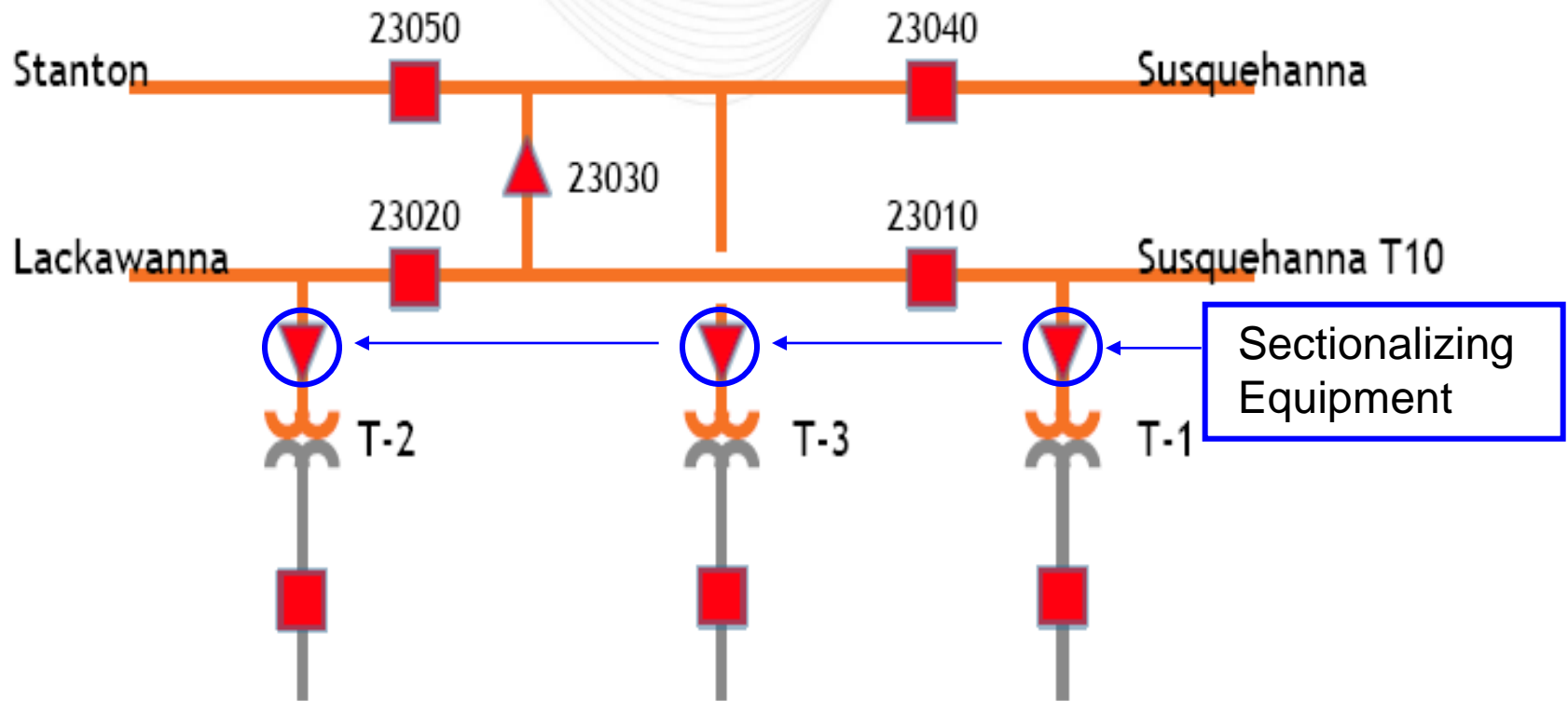


## Mountain T-1 230/69 kV Transformer Sectionalizing



Sectionalizing Schemes are NOT SPS Schemes according to PJM.