

***PJM Generator Interconnection  
S03 Edgemoor 5MW  
Feasibility / Impact Study***

**August 2007**

DMS # 432505

## General

Queue S03 Edgemoor is a Conectiv Delmarva Generation request to obtain an additional 5 MWs of Capacity Interconnection Rights for unit #5 at Edgemoor. S03 Capacity increase is already available.

## Direct Connection

The S03 project is connected as shown on Figure 1 below. No additional Direct Connection facilities are required.

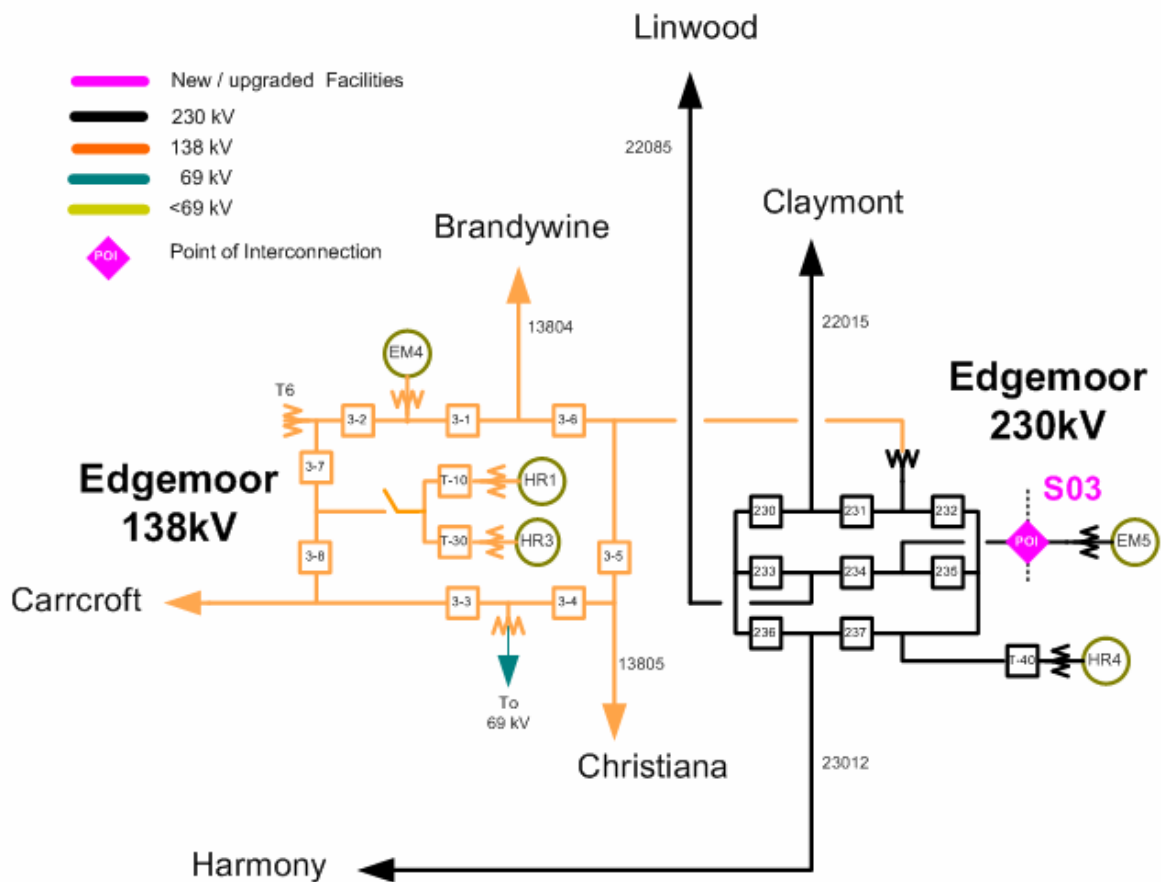


Figure 1

## ***Network Impacts***

The S03 project was studied as a 5 MW Capacity increase at Edgemoor 230 kV Bus. Project S03 was evaluated for compliance with reliability criteria for 2012 summer peak conditions. Network impacts were as follows:

### **Generator Deliverability**

No problems were identified

### **Multiple Facility Contingency**

No problems were identified

### **Short Circuit**

Not applicable, there is no change to generator and transformer impedance.

### **Stability Analysis**

Not required.

### **Contribution to Previously Identified Overloads**

No problems were identified

### **New System Reinforcements**

None

### **Contribution to Previously Identified System Reinforcements**

None identified.