

***Generation Interconnection  
Feasibility Study Report***

***For***

***PJM Generation Interconnection Request  
Queue Position W3-142***

***Lopatcong***

**February 2011**

## **Preface**

The intent of the feasibility study is to determine a plan, with ballpark cost and construction time estimates, to connect the subject generation to the PJM network at a location specified by the Interconnection Customer. The Interconnection Customer may request the interconnection of generation as a capacity resource or as an energy-only resource. As a requirement for interconnection, the Interconnection Customer may be responsible for the cost of constructing: (1) Direct Connections, which are new facilities and/or facilities upgrades needed to connect the generator to the PJM network, and (2) Network Upgrades, which are facility additions, or upgrades to existing facilities, that are needed to maintain the reliability of the PJM system.

In some instances a generator interconnection may not be responsible for 100% of the identified network upgrade cost because other transmission network uses, e.g. another generation interconnection, may also contribute to the need for the same network reinforcement. The possibility of sharing the reinforcement costs with other projects may be identified in the feasibility study, but the actual allocation will be deferred until the impact study is performed.

The Feasibility Study estimates do not include the feasibility, cost, or time required to obtain property rights and permits for construction of the required facilities. The project developer is responsible for the right of way, real estate, and construction permit issues. For properties currently owned by Transmission Owners, the costs may be included in the study.

## **General**

The Interconnection Customer (IC), has proposed a solar generating facility located in Phillipsburg, New Jersey (Attachment 1). The installed facilities will have a total capability of 18 MW with 6.84 MW of this output being recognized by PJM as capacity. This means that the remaining 11.16 MW will be curtailable should a system reliability constraint be declared by either PJM or FE when peak load conditions occur. At all other times the Project will be subject to the economic and reliability dispatch procedures as defined in the PJM Manuals. This includes the potential for a curtailment of the entire Project output during off peak periods. The proposed in-service date for this W3-142 Project is March 31, 2012.

## **Point of Interconnection**

W3-142 will interconnect with the Jersey Central Power & Light system at the 34.5kV line F6-1 between the Morris Park and Marble Hill substations.

## **First Energy Analysis and Impacts**

As shown on Attachment 2, the attachment of the W3-142 Project will be made by a looped connection from the Morris Park - Marble Hill (F6-1) 34.5 kV line to a new three breaker ring bus substation. It will one span out of the Morris Park substation on the Morris Park - Marble Hill (F6-1) 34.5 kV line. From this point Jersey Central will construct a new double circuit 34.5 kV line will be over built on an existing 12.5 kV Distribution path that will extend adjacent to the W3-142 Project site. The double circuit line then will be further extended about .1 mile to the new three breaker interconnection substation. As information, a typical 34.5 kV substation requires a plot of land about 150 x 150 foot excluding any setback requirements. A conceptual one-line diagram for the new interconnection 34.5 kV substation and its connection are shown on Attachment 3. While FE will construct, own and operate the new Interconnection 34.5 kV substation and the facilities required for its attachment to the FE system, the Interconnection Customer will be responsible for acquiring all easements, properties and permits that will be needed. The Interconnection Customer will also be responsible for providing a level graded site for the new Interconnection 34.5 kV substation and an access road as a prerequisite before work can begin. A summary of the W3-142 Project Direct Connection facilities that will be required and their estimated cost are shown on Attachment 4.

In accordance with PJM protocol, the Interconnection Customer also identified a secondary point of interconnection along the Morris Park - Merrill Creek (S919-1) 115 kV line. If this option is selected, a three breaker 115 kV ring bus will be constructed to accommodate the W3-142 Project connection. Since Jersey Central will own, operate and maintain this new substation, the point of interconnection will be at the first structure of the radial attachment line to the W3-142 Project collector substation. The Interconnection Customer will be responsible for acquiring all permits that may be required for the new 115 kV ring bus substation and providing a level graded site and a permanent access road. As information, a typical 115 kV substation requires a plot of land about 200 x 250 foot including setbacks and cannot be located on the existing right of way. The Interconnection Customer will also be responsible for constructing all facilities on its side of the point of interconnection.

## **Power Flow Analysis**

A Power Flow study was conducted to determine the reliability impact of the proposed W3-142 Project on the FE Transmission System. This study was completed using a 2012 summer peak load power flow that contains a detailed representation of the Jersey Central transmission networks in the area of the proposed W3-142 Project. Note that the year 2012 was chosen for study rather than 2015 since this is the first summer period when the W Queue solar projects are scheduled for service. The findings and the recommendations from this analysis are based on a contingency review that was performed to identify the facility loadings and/or voltage conditions that violate the ReliabilityFirst, PJM or FE Planning Criteria and are attributable to this project.

The results of the FE analysis show that there are no network upgrades required for the deliverability of the W3-142 Project generation capacity to the Jersey Central and PJM transmission systems. There also are no reinforcements defined for previous projects for which this project will have an impact. However, there are numerous solar generation projects proposed in the vicinity of the W3-142 Project that may cause system constraints. In addition,

there is the potential for high voltage during light load periods and voltage criteria violations due to swings in the MW output of the cumulative attached solar generation. Both scenarios may require the curtailment of the project output at times to maintain the Jersey Central system reliability within the NERC, Regional and FE operations and planning standards.

Note that a further conclusion of this study is that it will be mandatory for the W3-142 Project to have a range of dynamic reactive capability that supports its operation from a .95 lead to .90 lag power factor. Without a continuous regulation, the FE studies show that the addition of solar projects can cause voltage swings as their output oscillates with moving clouds and system voltages that can exceed the established limits. Should the Interconnection Customer fail to provide a dynamic reactive capability from the W3-142 Project for any reason once interconnected, the Jersey Central and/or PJM Dispatchers may need to take action to curtail both the energy and capacity portion of its output to prevent a non-compliance with voltage criteria.

With respect to the secondary 115 kV connection, the FE study results show that there will be no network upgrades required. In accordance with the FE Connection Requirements, a new three breaker 115 kV ring bus will be required for the project connection regardless of its declared output. This results are consistent with the PJM studies that have been performed.

### **Short Circuit and Dynamics Analysis**

In accordance with the Interconnection process, a short circuit analysis will not be conducted by PJM since the W3-142 Project connection is to the 34.5 kV system. Therefore, the FE Protection staff conducted a short circuit review of the project connection. An assumption of this study was that solar generation projects will contribute no appreciable fault current to the breakers on the FE transmission system. As defined by EPRI: “Inverters are generally designed to limit fault currents to 130% or less of rated current. Thus they can usually be disregarded when conducting fault studies.”<sup>1</sup> Based on this fact, the results of the FE analysis showed that no FE circuit breaker will exceed its interrupting capability with the implementation of the W3-142 Project. Therefore no circuit breaker reinforcements will be required.

Note that stability studies will be conducted by the PJM staff should this project proceed to the System Impact Study stage of the Interconnection process.

### **System Protection Analysis**

An analysis was conducted to assess the impact of the W3-142 Project on the system protection requirements in the area. The results of this review have identified the following:

Under the assumption that the W3-142 Project generation will not supply fault current to the Jersey Central transmission system, there will be no protection upgrades needed for the Morris Park - Marble Hill (F6-1) 34.5 kV line. However, a new Morris Park - Marble Hill (F6-1) 34.5 kV line relay panel will be needed at the Morris Park substation. In addition, the W3-142 Project

---

<sup>1</sup> EPRI Document TR-111490 “Integration of Distributed Resources in Electric Utility Distribution Systems: Distribution System Behavior Analysis for Suburban Feeder”, published November 1998, page 62

will be required to have two independent high-speed zones of protection to sense and clear faults on the interconnection transformer.

Fault current at the W3-142 Project 34.5 kV loop of the Morris Park - Marble Hill (F6-1) 34.5 kV line point 1.7 miles from the Morris Park substation are listed below.

Three Phase: 8,554 amperes  
Line to Ground: 2,982 amperes

Thevenin Impedances in ohms:

Positive Sequence:  $0.405 + j 2.293$   
Zero Sequence:  $3.321 + j15.023$

These values are for the current system configuration. Any system changes in the area could have a significant impact on these values. It will be an Interconnection Customer responsibility to make any protection upgrades required should this occur.

The system protection requirements to support the W3-142 Project three breaker ring bus substation are as follows:

### **Morris Park Substation**

- (1) SEL-311B (Backup line relay to W3-142 Project Point of Interconnection)
- (1) SEL-321 (Primary line relay to W3-142 Project Point of Interconnection)
- (1) SEL-501 Dual-Overcurrent relay (Breaker Failure for F6 Breaker)
- (1) SATEC Meter

### **Interconnection Substation (FE Owned)**

- (3) 34.5kV 3000A, minimum 30kA (interrupting) rated breaker
- (2) Sets of CTs on each side of breaker bushings
  - C800 Accuracy Class
  - 2.0 Thermal Factor
  - 1200/5 minimum MR
- (3) 34.5kV PTs (300/175:1)
- (2) SEL-501 Dual-Overcurrent relays (Breaker Failure for three breakers)
- (2) SEL-311B (Backup line relay to Morris Park and Marble Hill)
- (2) SEL-321 (Primary line relay to Morris Park and Marble Hill)
- (1) SEL-311L with fiber optic line to customer owned generating substation
- (1) SEL-387L with fiber optic line to customer owned generating substation
- (3) SATEC Meters
- (1) SEL-2032 and External Modem for remote relay communication
- (1) Arbiter 1094B GPS clock
- (1) Latching relay for dial-in access (phone line)

### **W3-142 Generating Substation (Customer Owned)**

- (1) 34.5kV PT (300/175:1)
- (1) SEL-501 per 34.5kV breaker
- (1) SATEC Meter
- (1) SEL-311L with fiber optic line to FE owned interconnection substation
- (1) SEL-387L with fiber optic line to FE owned interconnection substation

A cost estimate of the FE system protection facilities required for the W3-142 is included on Attachment 4.

### **Metering**

The Interconnection Customer will be required to comply with all FE Revenue Metering Requirements for Generation Interconnection Customers. These FE requirements are detailed on Attachment 5 to this report.

### **Compliance Issues**

The proposed interconnection facilities must be designed in accordance with the FirstEnergy “Requirements for Transmission Connected Facilities” located at:

<http://www.pjm.com/planning/design-engineering/to-tech-standards.aspx>

This includes the provision of a reactive power capability sufficient to maintain a composite power delivery for the facility at the interconnection point at a power factor between .95 leading (absorbing 5.92 MVAR) and .90 lagging (producing 8.72 MVAR). If this capability cannot be provided by the solar units, a dynamic device such as a STATCOM or SVC must be installed at the W3-142 Project substation at the Interconnection Customer’s cost.

The Interconnection Customer will be responsible for following the requirements of the “FirstEnergy Wholesale Generation Interconnection (WGI) Manual” and the “FE Approved Vendors and Contractors” documents which are also located at the above link. In addition, the Interconnection Customer will be required to meet all PJM, ReliabilityFirst and NERC reliability criteria and operating procedures for standards compliance. For example, the Developer will need to properly locate and report the over and under-voltage and over and under-frequency system protection elements for its units as well as the submission of the generator model and protection data required to satisfy the PJM and ReliabilityFirst audits. Failure to comply with these requirements may result in a disconnection of service if the violation is found to compromise the reliability of the FE system.

### **FE Facility Upgrades and Costs**

The results of the FE analysis shows that no planning criteria violations are attributable to the addition of the W3-142 Project for the conditions studied. Therefore the conclusion is that no transmission or distribution reinforcements will be required to provide the requested service.

The following is a summary of the FE facilities that will be required for the Direct Connection of the W3-142 Project:

1. Construct a new interconnection 34.5 kV Substation designed in a three beaker ring bus configuration for the project attachment with one spare position. This includes the design and engineering, relaying, fuses, metering, RTU, SCADA, acquisition of materials and construction of the required facilities.
2. Construct a new double circuit loop from the Morris Park - Marble Hill (F6-1) 34.5 kV line to the new interconnection substation (1.7 miles)
  - Replace pole with a double circuit 34.5 kV turning structure
  - Overbuild a local 12.5 kV Distribution line with a double circuit 34.5 kV line about 1.6 miles to a point adjacent to the project site.
  - Install a turning structure adjacent to the project site for extension to the new substation
  - Install 34.5 kV double circuit poles required for the extension (600 foot) to the substation
  - Install line conductor for loop and disconnect switch - 556.5 Kcmil 26/7 ACSR wire.

As identified on Attachment 4, the total Direct Connection upgrade cost is \$6,029,600.

All cost data contained in this document should be considered estimated. The applicant will be responsible for the actual cost of construction. FE herein reserves the right to return to any issues in this document and, upon appropriate justification, request additional monies to complete any connections to the transmission system.

### **Interconnection Customer Requirements**

In addition to the FE facilities, the Interconnection Customer will also be responsible for meeting all criteria as specified in the applicable sections of the "FE Requirements for Transmission Connected Facilities" document. Since the W3-142 Project will be connected to the 34.5 kV network, the Interconnection Customer will also be responsible for compliance with the FirstEnergy "Technical Requirements for the Interconnection of Parallel-Operated Generation to the FirstEnergy Distribution System". This includes but is not limited to the following:

1. The purchase and installation of the minimum required FE generation interconnection relaying and control facilities. This includes over/under voltage protection, over/under frequency protection, and zero sequence voltage protection relays.
2. The purchase and installation of the standard voice grade (analog) telephone line and associated conduit between the telephone company source and the meter socket or enclosure.

3. A compliance with the FE and PJM generator power factor and voltage control requirements. Note that the W3-142 Project will need to absorb reactive power at the point of interconnection to minimize the voltage change should the units rapidly reduce their output or trip off line
4. The execution of a back-up service agreement to serve the customer load supplied from the Interconnection 34.5 kV substation when the units are out-of-service. This assumes the intent of the Interconnection Customer is to net the generation with the station load.
5. Any complaints from other customers (e.g. flicker complaints) will have to be corrected by the Interconnection Customer. Correction may include changing operation, reducing generation, disconnecting the generators from the Jersey Central system, or other measures.
6. The purchase and installation of supervisory control and data acquisition (SCADA) equipment to provide information in a compatible format to the FE Transmission System Control Center. The RTU, the communications channel and all related equipment will be furnished and maintained by the Interconnection Customer. The RTU must communicate with the FirstEnergy EMS via DNP 3.0 protocol.
7. The following status and metering points will be required:
  - a. Interconnection breaker position.
  - b. Generator real and reactive power output measured at the high-side of the generator step-up transformer.
  - c. Generator voltage at the point of interconnection.
8. An installation of two independent high-speed zones of protection to sense and clear faults on the interconnection transformer.
9. A compliance with the inverter standard UL1741 and IEEE 1547, “Standard for Interconnecting Distributed resources with Electrical Power Systems”, in addition to the power quality standards defined by ReliabilityFirst and PJM.
10. A provision of the necessary generator protection, synchronization controls, and fault detection to initiate a trip to protect the W3-142 Project equipment from faults on the Jersey Central System.
11. The Interconnection Customer will not excavate, construct facilities or locate solar panels under the existing FE transmission facilities or on FE right-of-ways without the express permission of FE.
12. A compliance with the PJM Manuals and Operating instructions to have a plant operator on call 24/7 to respond within a minute to reduce the output of W3-142 Project when network constraints occur.

The above requirements are in addition to any metering or other requirements imposed by PJM.

Note that an assumption of this study is that the W3-142 Project generation will automatically be disconnected whenever the local area network is islanded. If this assumption is not correct, a direct transfer trip scheme will need to be implemented for such situations at the Interconnection Customer's cost.

## **Network Impacts**

Queue project W3-142 was studied as a(n) 18.0 MW (6.8 MW of which was Capacity) injection into JCPL's system. Project W3-142 was evaluated for compliance with reliability criteria for summer peak conditions in 2014.

Potential transmission network impacts are as follows:

### **Option 1: Tap between Morris Park and Phillipsburg 34.5 kV line**

#### **Generator Deliverability**

*(Single or N-1 contingencies for the Capacity portion only of the interconnection)*

No violations identified.

#### **Multiple Facility Contingency**

*(Double Circuit Tower Line contingencies only with full energy output. Stuck Breaker and Bus Fault contingencies will be applied during the Impact Study)*

No violations identified.

#### **Contribution to Previously Identified Overloads**

*(This project contributes to the following contingency overloads, i.e. "Network Impacts", identified for earlier generation or transmission interconnection projects in the PJM Queue.)*

No violations identified.

#### **New System Reinforcements**

*(Upgrades required to mitigate reliability criteria violations, i.e. "Network Impacts", initially caused by the addition of this project generation.)*

None required.

#### **Contribution to Previously Identified System Reinforcements**

*(Overloads initially caused by prior Queue positions with additional contribution to overloading by this project. This project may have a % allocation cost responsibility which will be calculated and reported for the Impact Study.)*

None required.

## **Short Circuit**

None required.

## **Energy Portion of Interconnection Request**

*PJM also studied the delivery of the energy portion of the surrounding generation. Any potential problems identified below are likely to result in operational restrictions to the project under study. The developer can proceed with network upgrades to eliminate the operational restriction at their discretion by submitting a Transmission Interconnection request.*

*Note: Only the most severely overloaded conditions are listed. There is no guarantee of full delivery of energy for this project by fixing only the conditions listed in this section. With a Transmission Interconnection Request, a subsequent analysis will be performed which analyzes all overload conditions associated with the overloaded element(s) identified. As a result of the aggregate energy resources in the area, the following violations were identified.*

No violations identified.

## **Option 2: W1-128TAP1 115 kV substation**

### **Generator Deliverability**

*(Single or N-1 contingencies for the Capacity portion only of the interconnection)*

No violations identified.

### **Multiple Facility Contingency**

*(Double Circuit Tower Line contingencies only with full energy output. Stuck Breaker and Bus Fault contingencies will be applied during the Impact Study)*

No violations identified.

### **Contribution to Previously Identified Overloads**

*(This project contributes to the following contingency overloads, i.e. "Network Impacts", identified for earlier generation or transmission interconnection projects in the PJM Queue.)*

No violations identified.

### **New System Reinforcements**

*(Upgrades required to mitigate reliability criteria violations, i.e. "Network Impacts", initially caused by the addition of this project generation.)*

None required.

### **Contribution to Previously Identified System Reinforcements**

*(Overloads initially caused by prior Queue positions with additional contribution to overloading by this project. This project may have a % allocation cost responsibility which will be calculated and reported for the Impact Study.)*

None required.

### **Short Circuit**

None required.

### **Energy Portion of Interconnection Request**

*PJM also studied the delivery of the energy portion of the surrounding generation. Any potential problems identified below are likely to result in operational restrictions to the project under study. The developer can proceed with network upgrades to eliminate the operational restriction at their discretion by submitting a Transmission Interconnection request.*

*Note: Only the most severely overloaded conditions are listed. There is no guarantee of full delivery of energy for this project by fixing only the conditions listed in this section. With a Transmission Interconnection Request, a subsequent analysis will be performed which analyzes all overload conditions associated with the overloaded element(s) identified. As a result of the aggregate energy resources in the area, the following violations were identified.*

No violations identified.

## Summary

The connection of the W3-142 Project to the FE transmission system will require no network upgrades. Therefore Interconnection Customer will only have a cost responsibility for the Direct Connection of the W3-142 Project to the Jersey Central transmission system. As shown on Attachment 4, the estimated cost of these facilities is \$6,029,600.

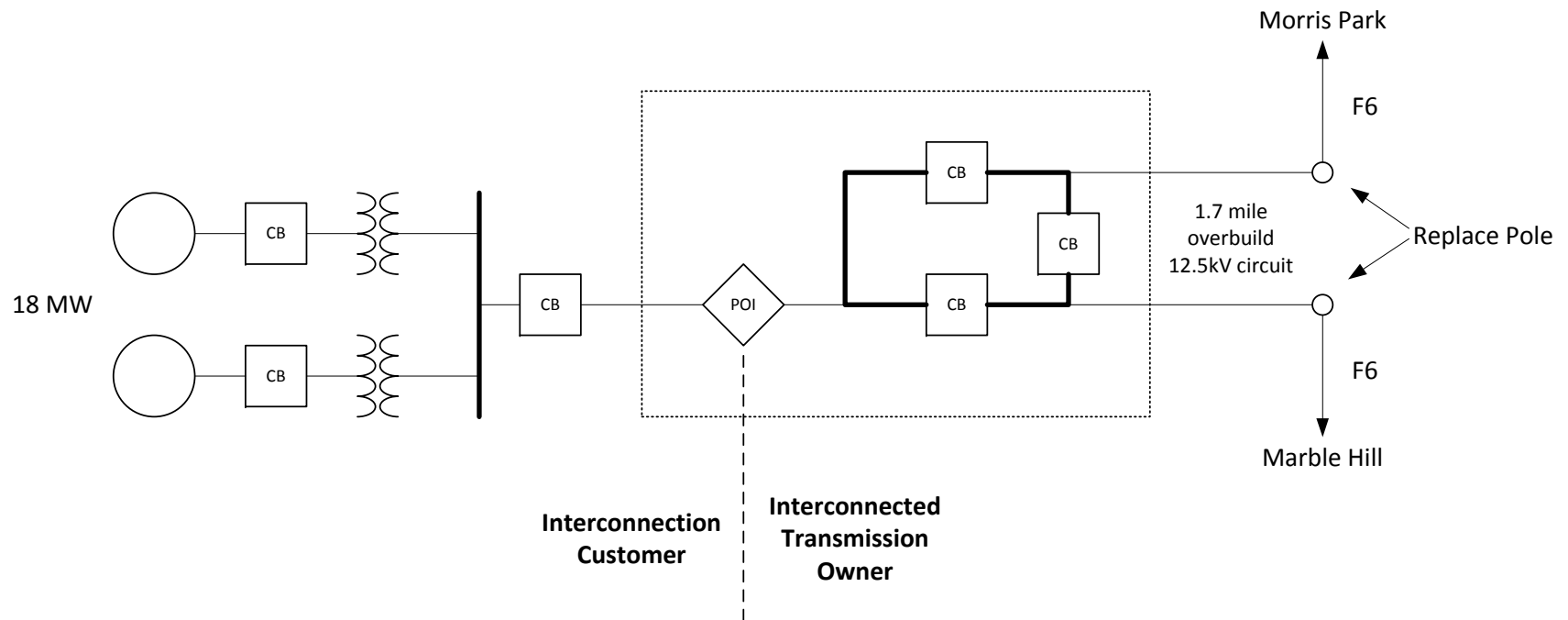
Based on the extent of the FE direct connection and system upgrades required to support this project, it is estimated that it will take one (1) year from the date of a fully executed Interconnection Construction Service Agreement to complete the upgrades required for the W3-142 Project. Full payment of the estimated cost of the project will be required upon execution of the Interconnection Service Agreement/Interconnection Construction Service Agreement (ISA/CSA). True up of the actual cost versus estimated cost of the project will be performed by FE at the end of the project. It further assumes that Interconnection Customer will provide the property for the attachment and right-of-way facilities that will be needed. A further assumption is that there will be no environmental issues with any of the new properties associated with this project, that there will be no delays in acquiring the necessary permits for implementing the defined direct connection and network upgrades, and that all 34.5 kV transmission system outages can be scheduled when needed.

Note that the FE findings were made from a conceptual review of this project. A more detailed review of the connection facilities and their cost will be identified in the System Impact Study. Further note that the cost estimate data contained in this document should be considered as only ballpark since it was produced without a detailed engineering review. The applicant will be responsible for the actual cost of construction. FE herein reserves the right to return to any issues in this document and, upon appropriate justification, request additional monies to complete any connections to the transmission system.

**Attachment 1**  
*Site Layout*

**Attachment 2**  
*Aerial View*

### Attachment 3 *Single Line*



## Attachment 4

### Cost Estimate

Facility	Direct Connection Facilities	Cost
<b>New 34.5kV interconnection substation</b>	<ul style="list-style-type: none"> <li>• Construct New 34.5 kV Substation for 3 Breaker Ring Bus</li> <li>• Include Control Building for Relay Panels, SCADA, etc.</li> <li>• Install Three 34.5 kV Circuit Breakers - Standard 2000 Amp, 40 kA Interrupting Capability each</li> <li>• Install Six New Disconnect Switches for Circuit Breakers- Standard 2000 Amp each</li> <li>• Install One New Disconnect Switch for Radial Generator Attachment - Standard 2000 Amp each</li> <li>• Install 795 ACSR Substation Conductor or Bus-bar as Needed</li> <li>• Install Three Line Termination Structures for the two 34.5 KV Lines and Generator Attachment</li> <li>• Install Three Line Termination Structures for the two 34.5 KV Lines and Generator Attachment</li> <li>• Install Drop Loops for the Two Attachment Lines and the Generator - 795 ACSR Wire</li> <li>• Miscellaneous Protection, Metering, RTU, SCADA</li> </ul>	\$ 3,509,600
<b>Morris Park – Marble Hill (F6) 34.5kV line</b>	Construct New Double Circuit Loop from the Morris Park - Marble Hill (F6) 34.5 kV line to the new Interconnection Substation (1.7 miles) <ul style="list-style-type: none"> <li>• Construct approximately 1.6 miles of new looped overhead 34.5kV line from a point near pole NJ1LXF6NJ on the Morris Park - Marble Hill (F6-1) 34.5kV line using 556.5 Kcmil 26/7 ACSR Wire.</li> <li>• Install 34.5 kV Double Circuit Poles Required For Extension (.1 mile) to the Interconnection Substation</li> <li>• Will include two loop poles on JC’s main line, replace 49 existing distribution poles with taller subtransmission poles and overbuild new 34.5kV subtransmission looped line between the main line and the Interconnection Customer substation, leads to new W3-142 termination structures, and all necessary guying, etc.</li> <li>• Transfer the existing Distribution facilities to the new transmission structures.</li> <li>• No environmental review was conducted as part of this cost estimate. If environmental permitting is needed, an additional \$50,000 will be added to estimate.</li> <li>• No estimates for Right-of-Way investigation and engineering is included in estimate. The Interconnection Customer is responsible for providing valid rights to JCP&amp;L to overbuild the existing Distribution lines.</li> </ul>	\$ 2,520,000
<b>Total Direct Connection Costs</b>		<b>\$ 6,029,600</b>

## **Attachment 5**

### ***FirstEnergy Revenue Metering Requirements For Generation Facilities Connected 46 kV and Lower***

This document addresses the revenue metering requirements for new generation-only facilities connected to FirstEnergy (FE) system voltages 46 kV and lower. This document is not intended for existing retail or wholesale load facilities where behind-the-meter generation is being installed.

The FE operating company (FEOC) shall provide, own, operate, test, and maintain the revenue metering equipment at the Interconnection Customer's (IC) expense. FE reserves the right to review each proposed generation facility design and determine if the IC shall provide, own, operate, test, and maintain the revenue metering equipment at the IC's expense for engineering reasons.

The revenue metering equipment includes, but is not limited to, current transformers, voltage transformers, secondary wires, meter socket, bidirectional revenue meter, and associated devices.

The revenue metering equipment shall be located at the Point of Interconnection (POI) unless otherwise agreed to by FE and the IC. The revenue metering will be compensated for electrical energy losses if it is not located at the POI.

The IC must provide FE with a facility one line, the estimated bi-directional power flow at the revenue metering point, and any loss compensation data.

The IC shall provide and install the mounting structures (or enclosures) and conduits necessary for the metering installation unless otherwise agreed to by the FEOC. The conduit shall be 1-1/2 inch galvanized rigid steel conduit. Flexible galvanized steel (liquid tight) conduit may be used between instrument transformers. The FEOC will install the wiring in the conduit between the instrument transformers and the meter socket.

The IC shall mount the instrument transformers unless otherwise agreed to by the FEOC. The instrument transformers and meter socket shall be installed in a location that is readily accessible to authorized FEOC representatives. If for any reason the meter socket and/or associated devices must be mounted in a weatherproof enclosure, it shall be provided and installed by the IC. The meter socket shall be installed generally within 50 feet of the instrument transformers unless an alternate design has been approved by the FEOC. The meter socket shall be mounted such that the centerline of the meter is approximately five feet above final grade. Where vehicle traffic may interfere with or damage any revenue metering equipment, the IC must install concrete filled steel barrier posts to protect such equipment.

The bidirectional revenue meter provided and installed by the FEOC will record billing data in intervals typically fifteen minutes or thirty minutes. The IC shall provide, at its sole cost and expense, the installation, operation, and maintenance of the communication link required by the FE billing data collection system for access to the meter. The specifications for the typical telephone communication link are as follows:

- Standard voice grade (analog) with dial tone. No digital telephone lines are permitted.
- Two-pair or four-conductor with RJ-11 / Male termination. The FEOC will make final connection to the meter.
- Must be able to receive incoming calls.
- Must be a direct line to the meter with no operator interception or operation required.
- Install the telephone line and associated conduit between the telephone company source and the meter socket or enclosure.
- The telephone line must be tagged with a phone number, including the area code.
- The telephone line must be installed and operational prior to the IC's service being energized.

The IC shall, at its expense, install, own, operate, test, and maintain any metering and telemetry equipment that may be required to provide real-time meter data to FE or PJM.

The FEOC will provide the IC access to bidirectional kWh and kVARh pulses from the FEOC meter at the IC's expense if requested.

The IC shall provide FE with prior notification of any modifications at the facility that could affect the FEOC revenue meter measurements (substation reconfigurations, generator additions, etc).