



PJM Interconnection, L.L.C.
2750 Monroe Blvd.
Audubon, PA 19403-2497

Salvia Yi
Counsel
T: (484) 501-4619
Salvia.Yi@pjm.com

May 8, 2024

The Honorable Debbie-Anne Reese, Acting Secretary
Federal Energy Regulatory Commission
888 First Street, N.E., Room 1A

*Re: PJM Interconnection, L.L.C., Docket No. ER24-1959-000
Notice of Cancellation of Service Agreement No. 5860, Queue No. AF2-099*

Dear Secretary Reese:

PJM Interconnection, L.L.C. (“PJM”) submits this filing to notify the Federal Energy Regulatory Commission (“Commission”) of the cancellation of the Wholesale Market Participation Agreement (“WMPA”) among PJM, SolAmerica Energy, LLC (“Wholesale Market Participant” or “SolAmerica Energy”), and Mid-Atlantic Interstate Transmission, LLC (“Transmission Owner” or “MAIT”), designated as Service Agreement No. 5860 and accepted by the Commission in Docket No. ER21-2569-000.¹ The Wholesale Market Participant failed to submit notice to exit suspension, before the suspension period expired. According to the WMPA, the Wholesale Market Participant may request one or more suspensions of work under the WMPA for a cumulative period of up to a maximum of three years.² The Wholesale Market Participant has utilized the maximum amount of suspension time of three years, and failed to provide written notice to exit suspension. As stated in Section 3.1 of the WMPA, when a Wholesale Market Participant fails to provide written notice that it will exit suspension on or before the expiration of

¹ See *PJM Interconnection, L.L.C.*, Letter Order, Docket No. ER21-2569-000 (Sept. 15, 2021).

² WMPA, Section 3.1 (Project Specific Milestones).

the suspension period, the WMPA shall be deemed terminated as of the end of such suspension period.³ Accordingly, PJM is submitting this filing to notify the Commission that Service Agreement No. 5860 is to be cancelled effective July 8, 2024.

I. EFFECTIVE DATE

PJM requests an effective date of July 8, 2024 for the cancellation, sixty-one (61) days from the date of the submission, in accordance with the sixty (60) day notice requirement specified in section 35.15 of the Commission's regulations.⁴ The parties have no remaining obligations under Service Agreement No. 5860.

II. CORRESPONDENCE AND COMMUNICATION

The following individuals are designated for inclusion on the official service list⁵ in this proceeding and for receipt of any communications regarding this filing:

Craig Glazer
Vice President–Federal Government Policy
PJM Interconnection, L.L.C.
1200 G Street, N.W, Suite 600
Washington, D.C. 20005
(202) 423-4743
Craig.Glazer@pjm.com

Salvia Yi
Counsel, Office of the General Counsel
PJM Interconnection, L.L.C.
2750 Monroe Blvd.
Audubon, Pennsylvania 19403
(484) 501-4619
Salvia.Yi@pjm.com

Christopher Holt
Managing Counsel
PJM Interconnection, L.L.C.
2750 Monroe Blvd
Audubon, PA 19403-2497
(610) 666-2368
Christopher.Holt@pjm.com

³ *Id.*

⁴ 18 C.F.R. § 35.15 (2022).

⁵ To the extent necessary, PJM requests a waiver of Commission Rule 203(b)(3) (18 C.F.R. § 385.203(b)(3)) so that each named person may be included on the official service list.

III. SERVICE

PJM has served a copy of this filing on the Wholesale Market Participant, Transmission Owner, and the state utility regulatory commissions within the PJM Region.

Respectfully submitted,

/s/ Salvia Yi

Craig Glazer
Vice President–Federal Government Policy
PJM Interconnection, L.L.C.
1200 G Street, N.W, Suite 600
Washington, D.C. 20005
(202) 423-4743
Craig.Glazer@pjm.com

Salvia Yi
Counsel, Office of the General Counsel
PJM Interconnection, L.L.C.
2750 Monroe Blvd.
Audubon, Pennsylvania 19403
(484) 501-4619
Salvia.Yi@pjm.com

Christopher Holt
Associate General Counsel
PJM Interconnection, L.L.C.
2750 Monroe Blvd
Audubon, PA 19403-2497
(610) 666-2368
Christopher.Holt@pjm.com

Cc (email):

Wholesale Market Participant
SolAmerica Energy, LLC
Katie Kearney - kkearney@solamericaenergy.com

Transmission Owner
Mid-Atlantic Interstate Transmission, LLC
Mike Thorn - mthorn@firstenergycorp.com
Nikhil Rao - pnrao@firstenergycorp.com
Tricia Hartzell - thartzell@firstenergycorp.com

All state utility regulatory commissions within the PJM Region

FEDERAL ENERGY REGULATORY COMMISSION
WASHINGTON, D.C. 20426

OFFICE OF ENERGY MARKET REGULATION

PJM Interconnection, L.L.C.
Docket No. ER21-2569-000

Issued: September 15, 2021

Christopher Holt, Esq.
PJM Interconnection, L.L.C.
2750 Monroe Blvd
Audubon, PA 19403-2497

Reference: Amendment of Service Agreement

On July 30, 2021, PJM Interconnection, L.L.C. (PJM) filed an amended Wholesale Market Participation Agreement (WMPA) among PJM, SolAmerica Energy, LLC (SolAmerica), and Mid-Atlantic Interstate Transmission, LLC, designated as Service Agreement No. 5860 (Amended WMPA).¹ PJM states that the Amended WMPA reflects changes in SolAmerica's contact information, as effectuated by the Agreement to Amend executed by the parties. PJM requests that the Amended WMPA, the original version of which was accepted by the Commission in Docket No. ER21-598-000, remain effective as of November 10, 2020.

Pursuant to the authority delegated to the Director, Division of Electric Power Regulation – East, under 18 C.F.R. § 375.307, your submittal is accepted for filing, effective November 10, 2020, as requested.²

The filing was noticed on July 30, 2021, with comments, interventions and protests due on or before August 20, 2021. Pursuant to Rule 214 (18 C.F.R. § 385.214), to the extent that any timely filed motions to intervene and any motion to intervene out-of-time were filed before the issuance date of this order, such interventions are granted.

¹ PJM Interconnection, L.L.C., FERC FPA Electric Tariff, PJM Service Agreements Tariff, [PJM SA No. 5860, PJM SA No. 5860 among PJM, SolAmerica Energy and MAIT, 1.0.0.](#)

² See 18 C.F.R. § 35.11 (2020); *Cent. Hudson Gas & Elec. Corp.*, 60 FERC ¶ 61,106, *reh'g denied*, 61 FERC ¶ 61,089 (1992); *but see Sunflower Elec. Power Corp.*, 173 FERC ¶ 61,054 (2020) (Danly, Comm'r, dissenting).

Docket No. ER21-2569-000

2

Granting late interventions at this stage of the proceeding will not disrupt the proceeding or place additional burdens on existing parties.

This acceptance for filing shall not be construed as constituting approval of the referenced filing or of any rate, charge, classification, or any rule, regulation, or practice affecting such rate or service contained in your filing; nor shall such acceptance be deemed as recognition of any claimed contractual right or obligation associated therewith; and such acceptance is without prejudice to any findings or orders which have been or may hereafter be made by the Commission in any proceeding now pending or hereafter instituted by or against PJM.

This order constitutes final agency action. Requests for rehearing by the Commission may be filed within 30 days of the date of issuance of this order, pursuant to 18 C.F.R. § 385.713.

Issued by: Kurt M. Longo, Director, Division of Electric Power Regulation – East

Document Content(s)

ER21-2569-000 DLO.docx.....1



PJM Interconnection, L.L.C.
2750 Monroe Boulevard
Audubon, PA 19403

Christopher Holt
Assistant General Counsel
(610) 666-2368
christopher.holt@pjm.com

July 30, 2021

The Honorable Kimberly D. Bose, Secretary
Federal Energy Regulatory Commission
888 First Street, N.E., Room 1A
Washington, D.C. 20426-0001

*Re: PJM Interconnection, L.L.C.; Docket No. ER21-2569-000
Amendment to Service Agreement No. 5860; Queue No. AF2-099*

Dear Secretary Bose:

Pursuant to section 205 of the Federal Power Act,¹ Part 35 of the rules and regulations of the Federal Energy Regulatory Commission (“Commission”),² and PJM Open Access Transmission Tariff, Part VI (“Tariff”), PJM Interconnection, L.L.C. (“PJM”) submits for filing an amended Wholesale Market Participation Agreement (“WMPA”) among PJM, SolAmerica Energy, LLC (“Wholesale Market Participant”), and Mid-Atlantic Interstate Transmission, LLC (“Transmission Owner”) (collectively, the “Parties”) (the “Amended WMPA”). The Amended WMPA modifies Service Agreement No. 5860, filed with and accepted by the Commission in Docket No. ER21-598-000, effective November 10, 2020 (the “Original WMPA”).³

Commission rules and regulations require that any change to the provisions of a service agreement on file with the Commission shall be filed as a change in rate.⁴ Accordingly, PJM submits the Amended WMPA for filing to update the Wholesale Market Participant’s contact

¹ 16 U.S.C. § 824d (2016).

² 18 C.F.R. Part 35 (2019).

³ See *PJM Interconnection, L.L.C.*, Letter Order, Docket No. ER21-598-000 (Jan. 28, 2021).

⁴ 18 C.F.R. § 35.1(c) (2019).

information effectuating the attached Agreement to Amend.⁵ PJM requests that the effective date of the Amended WMPA remain the same as the effective date of the Original WMPA, November 10, 2020.

The Amended WMPA is designated as Service Agreement No. 5860, and is substantively the same as the Original WMPA, except the Amended WMPA reflects the Parties' agreement to update section 2.0 – Notices to reflect the Wholesale Market Participant's current contact information. Further, the names, dates, and titles on the signature page of the Amended WMPA are removed and replaced with the language "All signature lines intentionally left blank - See Agreement to Amend executed by the parties effective July 2, 2021." The authorized signatures set forth in the attached Agreement to Amend serve as the Parties' acceptance of these requested changes. Except for the revisions specified above, all other terms and conditions of the Original WMPA, previously accepted by the Commission, remain the same.

I. WAIVER AND EFFECTIVE DATE

PJM requests that the Commission grant any and all waivers of the Commission's rules and regulations necessary for acceptance of this filing and the enclosed Amended WMPA. Additionally, PJM requests waiver of the Commission's 60-day notice requirement⁶ to allow the effective date of the Amended WMPA to remain November 10, 2020. Good cause exists to grant the waiver because the substance of the Amended WMPA was previously accepted by the Commission, and the changes authorized by the Parties pursuant to the Agreement to Amend are ministerial.

⁵ The Agreement to Amend is attached to this transmittal letter as Attachment C. The Parties executed the Agreement to Amend on July 2, 2021.

⁶ 18 C.F.R. § 35.3 (2019).

II. DOCUMENTS ENCLOSED

PJM encloses the following:

1. This transmittal letter;
2. Attachment A - Amended WMPA (Marked) – Service Agreement No. 5860;
3. Attachment B - Amended WMPA (Clean) – Service Agreement No. 5860; and
4. Attachment C - Executed Agreement to Amend.

III. CORRESPONDENCE AND COMMUNICATIONS

All notices, communications, or correspondence addressed to PJM regarding this matter should be directed to, and PJM requests that the Secretary include on the Commission’s official service list,⁷ the following:

Craig Glazer
Vice President–Federal Government Policy
PJM Interconnection, L.L.C.
1200 G Street, N.W, Suite 600
Washington, D.C. 20005
(202) 423-4743
craig.glazer@pjm.com

Christopher Holt
Assistant General Counsel
PJM Interconnection, L.L.C.
2750 Monroe Blvd
Audubon, PA 19403-2497
(610) 666-2368
Christopher.Holt@pjm.com

⁷ PJM requests waiver of Commission Rule 203(b)(3) (18 C.F.R. § 385.203(b)(3)), so that each named person may be included on the official service list.

IV. SERVICE

Copies of this filing have been served upon the Wholesale Market Participant, Transmission Owner, and the state utility regulatory commissions within the PJM Region.

Respectfully submitted,

By: /s/ *Christopher Holt*

Craig Glazer
Vice President–Federal Government Policy
PJM Interconnection, L.L.C.
1200 G Street, N.W, Suite 600
Washington, D.C. 20005
(202) 423-4743
craig.glazer@pjm.com

Christopher Holt
Assistant General Counsel
PJM Interconnection, L.L.C.
2750 Monroe Blvd
Audubon, PA 19403-2497
(610) 666-2368
Christopher.Holt@pjm.com

**Counsel for
PJM Interconnection, L.L.C.**

Cc via email:

Katie Kearney – kkearney@solamericaenergy.com
Mike Thorn - mthorn@firstenergycorp.com
Tricia Hartzell - thartzell@firstenergycorp.com
Amanda Parker – aparker@firstenergycorp.com

All state utility regulatory commissions within the PJM Region

ATTACHMENT A

**Marked Tariff
Service Agreement No. 5860**

(PJM Queue #AF2-099)

WHOLESALE MARKET PARTICIPATION AGREEMENT
Among
PJM INTERCONNECTION, L.L.C.
And
SOLAMERICA ENERGY, LLC
And
MID-ATLANTIC INTERSTATE TRANSMISSION, LLC

WHOLESALE MARKET PARTICIPATION AGREEMENT

**By and Among
PJM Interconnection, L.L.C.**

And

SolAmerica Energy, LLC

And

**Mid-Atlantic Interstate Transmission, LLC
(PJM Queue Position #AF2-099)**

This Wholesale Market Participation Agreement (“WMPA”) including the Specifications, and Schedules attached hereto and incorporated herein, is entered into in order to effectuate sales of energy and/or capacity into PJM’s wholesale markets, by and between PJM Interconnection, L.L.C., the Regional Transmission Organization for the PJM Region (“Transmission Provider”), SolAmerica Energy, LLC (“Wholesale Market Participant”) and Mid-Atlantic Interstate Transmission, LLC (“Transmission Owner” or “MAIT”) (referred to individually as “Party” or collectively as “the Parties”).

WITNESSETH

WHEREAS, Wholesale Market Participant is developing generation that it intends to use to engage in Wholesale Transactions in PJM’s markets and desires to maintain its proposed generation in the queue that PJM studies for potential reliability impacts to the Transmission System;

WHEREAS, Wholesale Market Participant is seeking to interconnect at a local distribution or sub-transmission facility, which at this time is not subject to FERC jurisdiction; and

WHEREAS, Wholesale Market Participant and Transmission Owner or its affiliate must enter into a separate two-party interconnection agreement (“Interconnection Agreement”) in order to address issues of physical interconnection and local charges that may be presented by the interconnection of Wholesale Market Participant’s generation to the distribution facility.

NOW, THEREFORE, in consideration of the mutual covenants herein contained, together with other good and valuable consideration, the receipt and sufficiency is hereby mutually acknowledged by Transmission Provider, Transmission Owner and Wholesale Market Participant and the parties agree to assume all of the rights and obligations consistent with the rights and obligations relating to Network Upgrades, Local Upgrades and metering requirements set forth in Part VI of the Tariff, as of the effective date of this WMPA, required for Wholesale Market Participant to make Wholesale Transactions in PJM’s markets. The Parties mutually covenant and agree as follows:

Article 1 – DEFINITIONS and OTHER DOCUMENTS

- 1.0 Defined Terms.** All capitalized terms herein shall have the meanings as set forth in the definitions of such terms as stated in Part I, Article 1 or Part VI of the PJM Open Access Transmission Tariff (“Tariff”), except Wholesale Market Participant which shall be defined in this WMPA as a participant in a Wholesale Transaction.
- 1.1 Effective Date.** This WMPA shall become effective on the date it is executed by all Parties, or, if this WMPA is filed with FERC unexecuted, upon the date specified by FERC. This WMPA shall terminate on such date as mutually agreed upon by the parties, unless earlier terminated consistent with Section 1 in Attachment O, Appendix 2, Part VI of the Tariff.
- 1.2 Assumption of Tariff Obligations.** Wholesale Market Participant agrees to abide by all rules and procedures pertaining to generation and transmission in the PJM Region, including but not limited to the rules and procedures concerning the dispatch of generation or scheduling transmission set forth in the Tariff, the Operating Agreement and the PJM Manuals.
- 1.3 Incorporation Of Other Documents.** All portions of the Tariff and the Operating Agreement pertinent to the subject matter of this WMPA and not otherwise made a part hereof are hereby incorporated herein and made a part hereof.

Article 2 - NOTICES and MISCELLANEOUS

- 2.0 Notices.** Any notice, demand or request required or permitted to be given by any Party to another and any instrument required or permitted to be tendered or delivered by any Party in writing to another may be so given, tendered or delivered by recognized national courier or by depositing the same with the United States Postal Service, with postage prepaid for delivery by certified or registered mail addressed to the Party, or by personal delivery to the Party, at the address specified below. Such notices, if agreed to by the Parties, may be made via electronic means, with e-mail confirmation of delivery.

Transmission Provider:

PJM Interconnection, L.L.C.
2750 Monroe Blvd.
Audubon, PA 19403-2497

Wholesale Market Participant:

SolAmerica Energy, LLC
~~1819 Peachtree Road NW Suite 100~~190 Ottley Drive N.E., Studio H
Atlanta, Georgia ~~30309~~30324

Attn: Katie Kearney
kkearney@solamericaenergy.com
Transmission Owner:

Mid-Atlantic Interstate Transmission, LLC
76 South Main Street
A-GO-10
Akron, OH 44308
Attn: Mike Thorn, FERC & Wholesale Connection Support Manager
mthorn@firstenergycorp.com
(330) 384-3889

Nikhil Rao-Associate General Counsel
FirstEnergy Service Company
76 South Main Street
A-GO-15
Akron, OH 44308
pnrao@firstenergycorp.com
(330) 384-2422

Tricia Hartzell-Legal Specialist
FirstEnergy Service Company
76 South Main Street
A-GO-15
Akron, OH 44308
thartzell@firstenergycorp.com
(330) 761-4426

With copies to:
FirstEnergy Service Company
Legal Department
76 South Main Street
A-GO-15
Akron, OH 44308
Attn: Attorney for FERC & Wholesale Connection Support

Either Party may change its address or designated representative for notice by notice to the other Parties in the manner provided for above.

- 2.1 Construction With Other Parts Of The Tariff.** This WMPA shall not be construed as an application for service under Part II or Part III of the Tariff.
- 2.2 Warranty for Facilities Study.** In analyzing and preparing the System Impact Study, and in designing and constructing the Local Upgrades and/or Network Upgrades described in Part II of the Tariff and in the Specifications attached to this WMPA, Transmission Provider, the Transmission Owner(s), and any other subcontractors

employed by Transmission Provider have had to, and shall have to, rely on information provided by Wholesale Market Participant and possibly by third parties and may not have control over the accuracy of such information. Accordingly, NEITHER TRANSMISSION PROVIDER, THE TRANSMISSION OWNER(s), NOR ANY OTHER SUBCONTRACTORS EMPLOYED BY TRANSMISSION PROVIDER OR TRANSMISSION OWNER MAKES ANY WARRANTIES, EXPRESS OR IMPLIED, WHETHER ARISING BY OPERATION OF LAW, COURSE OF PERFORMANCE OR DEALING, CUSTOM, USAGE IN THE TRADE OR PROFESSION, OR OTHERWISE, INCLUDING WITHOUT LIMITATION IMPLIED WARRANTIES OF MERCHANTABILITY AND FITNESS FOR A PARTICULAR PURPOSE, WITH REGARD TO THE ACCURACY, CONTENT, OR CONCLUSIONS OF THE FACILITIES STUDY OR THE SYSTEM IMPACT STUDY IF A FACILITIES STUDY WAS NOT REQUIRED OR OF THE LOCAL UPGRADES AND/OR THE NETWORK UPGRADES, PROVIDED, HOWEVER, that Transmission Provider warrants that the Transmission Owner Facilities described in the Specifications will be designed and constructed (to the extent that Transmission Owner is responsible for design and construction thereof) and operated in accordance with Good Utility Practice, as such term is defined in the Operating Agreement. Wholesale Market Participant acknowledges that it has not relied on any representations or warranties not specifically set forth herein and that no such representations or warranties have formed the basis of its bargain hereunder.

2.3 Waiver. No waiver by any party of one or more defaults by the other in performance of any of the provisions of this WMPA shall operate or be construed as a waiver of any other or further default or defaults, whether of a like or different character.

2.4 Amendment. This WMPA or any part thereof, may not be amended, modified, or waived other than by a written document signed by all parties hereto.

2.5 Addendum of Wholesale Market Participant's Agreement to Conform with IRS Safe Harbor Provisions for Non-Taxable Status. To the extent required, in accordance with Section 24.1 in Attachment O, Appendix 2 in Part VI of the Tariff, Schedule E to this WMPA shall set forth the Wholesale Market Participant's agreement to conform with the IRS safe harbor provisions for non-taxable status.

2.6 Assignment

2.6.1 Assignment with Prior Consent:

If the Interconnection Agreement between the Wholesale Market Participant and the Transmission Owner, as referenced in section 3.1.4 herein, provides that such Interconnection Agreement may be assigned, and such Interconnection Agreement was assigned, then, except as provided in Section 2.6.2 of this WMPA, no Party shall assign its rights or delegate its duties under this WMPA without the prior written consent of the other Parties, which consent shall not be unreasonably withheld, conditioned, or delayed; and any such assignment or delegation made without such prior written consent shall be null and void. A Party may make an assignment in connection with the sale, merger, or

transfer of all of its properties, including the Participant Facility, which it owns, so long as the assignee in such a sale, merger, or transfer assumes in writing all rights, duties and obligations arising under this WMPA. In addition, the Transmission Owner shall be entitled, subject to applicable laws and regulations, to assign the WMPA to an Affiliate or successor that owns and operates all or a substantial portion of the Transmission Owner's transmission facilities.

2.6.2 Assignment without Prior Consent

2.6.2.1 Assignment to Owners:

If the Interconnection Agreement between the Wholesale Market Participant and the Transmission Owner, as referenced in section 3.1.4 herein, provides that such Interconnection Agreement may be assigned, and such Interconnection Agreement was assigned, then the Wholesale Market Participant may assign its rights or delegate its duties under this WMPA without the Transmission Owner's or Transmission Provider's prior consent to any Affiliate or person that purchases or otherwise acquires, directly or indirectly, all of the Participant Facility, provided that prior to the effective date of any such assignment: (1) the assignee shall demonstrate that, as of the effective date of the assignment, the assignee has the technical and operational competence to comply with the requirements of this WMPA; and (2) in writing to the Transmission Owner and Transmission Provider, assignee assumes all rights, duties, and obligations of Wholesale Market Participant arising under this WMPA. However, any assignment described herein shall not relieve or discharge the Wholesale Market Participant from any of its obligations hereunder absent the written consent of the Transmission Provider, such consent not to be unreasonably withheld, conditioned or delayed.

2.6.2.2 Assignment to Lenders:

If the Interconnection Agreement between the Wholesale Market Participant and the Transmission Owner, as referenced in section 3.1.4 herein, provides that such Interconnection Agreement may be assigned to any Project Finance Entity(ies), and such Interconnection Agreement was assigned, then the Wholesale Market Participant may, without consent of the Transmission Provider or the Transmission Owner, assign this WMPA to such Project Finance Entity(ies), provided that such assignment does not alter or diminish Wholesale Market Participant's duties and obligations under this WMPA. If Wholesale Market Participant provides the Transmission Owner and Transmission Provider with notice of an assignment to such Project Finance Entity(ies) and identifies such Project Finance Entity(ies) as a contact for notice of Breach consistent with section 15.3 of Attachment O, Appendix 2 in Part VI of the Tariff, the Transmission Provider or Transmission Owner shall provide notice and reasonable opportunity for such Project Finance Entity(ies) to cure any Breach under this WMPA in accordance with this WMPA. Transmission Provider or Transmission Owner shall, if requested by such Project Finance Entity(ies),

provide such customary and reasonable documents, including consents to assignment, as may be reasonably requested with respect to the assignment and status of this WMPA, provided that such documents do not alter or diminish the rights of the Transmission Provider or Transmission Owner under this WMPA, except with respect to providing notice of Breach consistent with section 15.3 of Attachment O, Appendix 2 in Part VI of the Tariff, to such Project Finance Entity(ies). Upon presentation of the Transmission Provider and/or Transmission Owner's invoice therefor, Wholesale Market Participant shall pay the Transmission Provider and/or the Transmission Owner's reasonable documented cost of providing such documents and certificates as requested by such Project Finance Entity(ies). Any assignment described herein shall not relieve or discharge the Wholesale Market Participant from any of its obligations hereunder absent the written consent of the Transmission Owner and Transmission Provider.

2.6.3 Successors and Assigns:

This WMPA and all of its provisions are binding upon, and inure to the benefit of, the Parties and their respective successors and permitted assigns.

ARTICLE 3 – Responsibility for Network or Local Upgrades

- 3.0 Security for Network or Local Upgrades.** Consistent with Section 212.4 in Part VI of the Tariff, Wholesale Market Participant, on or before the effective date of this WMPA, shall provide the Transmission Provider (for the benefit of the Transmission Owner) with a letter of credit from an agreed provider or other form of security reasonably acceptable to the Transmission Provider and that names the Transmission Provider as beneficiary (“Security”) in the amount of \$0. This amount represents the sum of the estimated Costs, determined consistent with Section 217 in Part VI of the Tariff, of (i) the Local Upgrades and/or Network Upgrades less any Costs already paid by the Wholesale Market Participant. Should Wholesale Market Participant fail to provide Security in the amount or form required in the first sentence of this Section, this WMPA shall be terminated. Wholesale Market Participant acknowledges that its ultimate cost responsibility consistent with Section 217 in Part VI of the Tariff will be based upon the actual Costs of the facilities described in the Specifications to this WMPA, whether greater or lesser than the amount of the Security provided under this Section.
- 3.1 Project Specific Milestones.** During the term of this WMPA, Wholesale Market Participant shall ensure that it meets each of the following milestones:
- 3.1.1 Substantial Site work completed.** On or before April 30, 2022
Wholesale Market Participant must demonstrate completion of at least 20% of project site construction.
- 3.1.2 Commercial Operation.** (i) On or before September 30, 2022, Wholesale Market Participant must demonstrate commercial operation of all generating units; (ii) On or before September 30, 2022, Wholesale Market Participant must demonstrate commercial sale or use of energy and, if applicable obtain capacity qualification consistent with the requirements of the Reliability Assurance Agreement Among Load Serving Entities in the PJM Region.
- 3.1.3 Documentation.** Within one (1) month following commercial operation of generating unit(s), Wholesale Market Participant must provide certified documentation demonstrating that “as-built” Participant Facility are consistent with applicable PJM studies and agreements. Wholesale Market Participant must also provide PJM with “as-built” electrical modeling data or confirm that previously submitted data remains valid.
- 3.1.4 Interconnection Agreement.** On or before October 31, 2021, Wholesale Market Participant must enter into an Interconnection Agreement with the Transmission Owner in order to effectuate the WMPA. This WMPA shall automatically terminate upon the termination of the two-party Interconnection Agreement between the Wholesale Market Participant and Transmission Owner.

Wholesale Market Participant shall demonstrate the occurrence of each of the foregoing milestones to Transmission Provider's reasonable satisfaction. Transmission Provider may reasonably extend any such milestone dates, in the event of delays that Wholesale Market Participant (i) did not cause and (ii) could not have remedied through the exercise of due diligence.

If (i) the Wholesale Market Participant suspends work pursuant to a suspension provision contained in an interconnection and/or construction agreement with the Transmission Owner or (ii) the Transmission Owner extends the date by which Wholesale Market Participant must enter into an interconnection agreement relative to this WMPA, and (iii) the Wholesale Market Participant has not made a wholesale sale under this WMPA, the Wholesale Market Participant may suspend this WMPA by notifying the Transmission Provider and the Transmission Owner in writing that it wishes to suspend this WMPA, with the condition that, notwithstanding such suspension, the Transmission System shall be left in a safe and reliable condition in accordance with Good Utility Practice and Transmission Provider's safety and reliability criteria. Wholesale Market Participant's notice of suspension shall include an estimated duration of the suspension period and other information related to the suspension. Pursuant to this section 3.1, Wholesale Market Participant may request one or more suspensions of work under this WMPA for a cumulative period of up to a maximum of three years. If, however, the suspension will result in a Material Modification as defined in Part I, Section 1.18A.02 of the Tariff, then such suspension period shall be no greater than one (1) year. If the Wholesale Market Participant suspends this WMPA pursuant to this Section 3.1 and has not provided written notice that it will exit such suspension on or before the expiration of the suspension period described herein, this WMPA shall be deemed terminated as of the end of such suspension period. The suspension time shall begin on the date the suspension is requested or on the date of the Wholesale Market Participant's written notice of suspension to Transmission Provider, if no effective date was specified. All milestone dates stated in this Section 3.1 shall be deemed to be extended coextensively with any suspension period permitted pursuant to this provision.

IN WITNESS WHEREOF, Transmission Provider, Wholesale Market Participant and Transmission Owner have caused this WMPA to be executed by their respective authorized officials. By each individual signing below, each represents to the other that they are duly authorized to sign on behalf of their company and have the actual and/or apparent authority to bind the respective company to this WMPA.

(PJM Queue Position #AF2-099)

Transmission Provider: **PJM Interconnection, L.L.C.**

By: _____ /s/
Jason Connell _____ Manager, Interconnection Projects 11/10/2020
Name Title Date

Printed name of signer: _____ Jason
Connell

Wholesale Market Participant: **SolAmerica Energy, LLC**

By: _____ /s/ R.
Stanley Allen _____ CEO 11/2/2020
Name Title Date

Printed name of signer: _____ R.
Stanley Allen

Transmission Owner: **Mid-Atlantic Interstate Transmission, LLC**

By: _____
Gregory F. Hussing _____ Dir FERC & RTO Support 11/10/2020
Name Title Date

Printed name of signer: _____
Gregory F. Hussing

All signature lines intentionally left blank – See Agreement to Amend executed by the parties effective July 2, 2021

**SPECIFICATIONS FOR
WHOLESALE MARKET PARTICIPATION AGREEMENT
By and Among
PJM INTERCONNECTION, L.L.C.
And
SOLAMERICA ENERGY, LLC
And
MID-ATLANTIC INTERSTATE TRANSMISSION, LLC
(PJM Queue Position #AF2-099)**

1.0 Description of generating unit(s) (the “Participant Facility” or “Participant’s Facility”) to be used for the provision of wholesale sales into the PJM markets:

a. Name of Participant Facility:

PA York Garber 2

b. Location of Participant Facility:

1750 Taxville Road
York, PA 17408
Grid Coordinates: 39.957469, -76.800286
York County
(Meted zone)

c. Size in megawatts of Participant Facility:

Maximum Facility Output of 3 MW

d. Description of the equipment configuration:

A ground mounted, inverter based, solar photovoltaic generating facility consisting of solar arrays and step up transformation with a high side voltage of 12.47 kV.

2.0 Rights for Generation Wholesale Market Participant

2.1 Capacity Interconnection Rights:

Consistent with the applicable terms of the Tariff, the Wholesale Market Participant shall have Capacity Interconnection Rights at the point(s) of interconnection specified in Schedule A of this Wholesale Market Participant Agreement in the amount of 1.8 MW; provided however, nothing in this WMPA provides any rights with regard to the use of distribution facilities.

Pursuant to and subject to the applicable terms of the Tariff, the Wholesale Market Participant shall have Capacity Interconnection Rights at the Point(s) of Interconnection specified in this Wholesale Market Participation Agreement in the amount of 1.8 MW commencing June 1, 2023. During the time period from the effective date of this WMPA until May 31, 2023 (the “interim time period”), the Wholesale Market Participant may be awarded interim Capacity Interconnection Rights in an amount not to exceed 1.8 MW. The availability and amount of such interim Capacity Interconnection Rights shall be dependent upon completion and results of an interim deliverability study. Any interim Capacity Interconnection Rights awarded during the interim time period shall terminate on May 31, 2023.

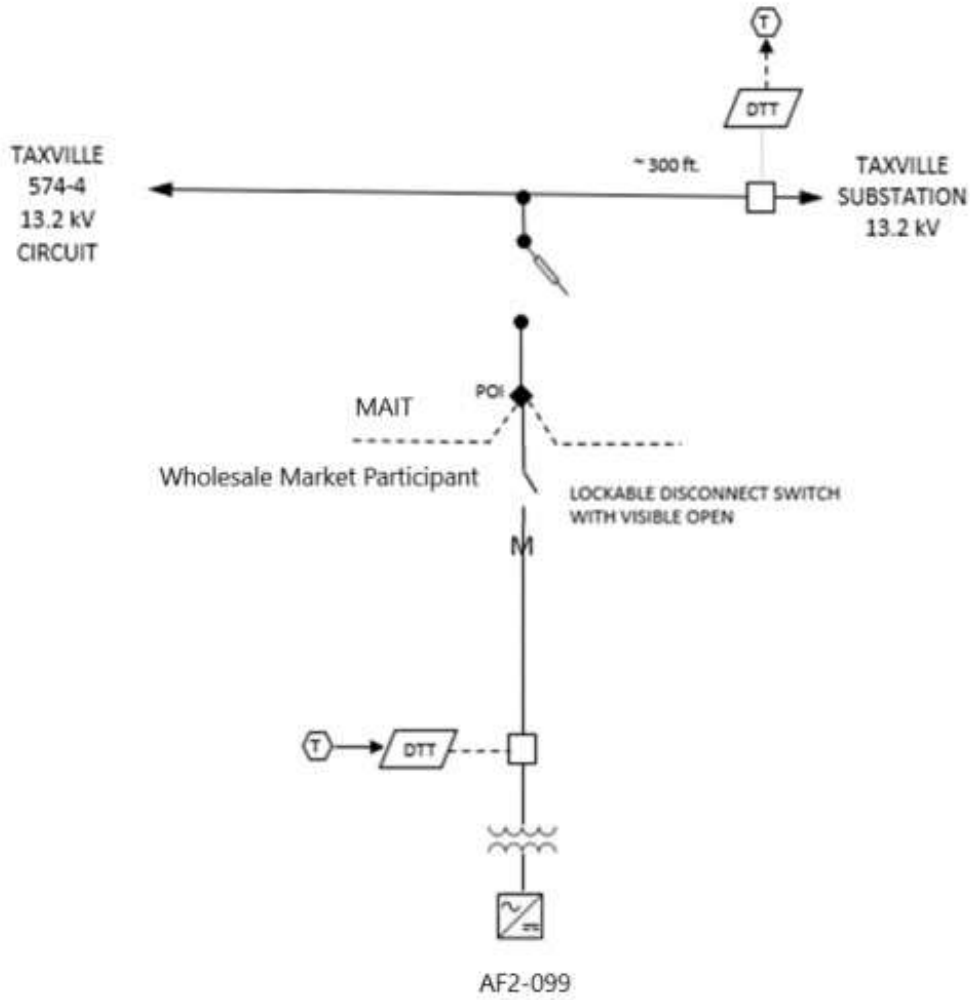
To the extent that any portion of the Participant Facility described in Section 1.0 is not a Capacity Resource with Capacity Interconnection Rights, such portion of the Participant Facility shall be an Energy Resource. Pursuant to this WMPA, the Wholesale Market Participant may sell energy into PJM’s markets in an amount equal to the Participant Facility’s Maximum Facility Output indicated in Section 1.0c of the Specifications for this WMPA. PJM reserves the right to limit injections in the event reliability would be affected by output greater than such quantity.

3.0 Ownership and Location of Metering Equipment. The metering equipment to be constructed, the capability of the metering equipment to be constructed, and the ownership thereof, as required for the Wholesale Transactions shall be identified on the attached Schedule B to this WMPA, and provided consistent with the PJM manuals.

SCHEDULES:

- **SCHEDULE A - SINGLE-LINE DIAGRAM (Showing point of interconnection)**
- **SCHEDULE B - LIST OF METERING EQUIPMENT**
- **SCHEDULE C - LIST OF LOCAL/NETWORK UPGRADES**
- **SCHEDULE D - APPLICABLE TECHNICAL REQUIREMENTS AND STANDARDS**
- **SCHEDULE E - WHOLESALE MARKET PARTICIPANT AGREEMENT TO CONFORM WITH IRS SAFE HARBOR PROVISIONS FOR NON-TAXABLE STATUS**
- **SCHEDULE F – SCHEDULE OF NON-STANDARD TERMS & CONDITIONS**

SCHEDULE A
SINGLE-LINE DIAGRAM



◆ = POI (POINT OF INTERCONNECTION) LOCATED NEAR 226635C22918, ON CUSTOMERS SIDE OF POI

M = REVENUE METERING FOR INTERCONNECTION CUSTOMER IS OWNED, OPERATED, AND MAINTAINED BY INTERCONNECTION CUSTOMER

SCHEDULE B

LIST OF METERING EQUIPMENT

Wholesale Market Participant's metering and telemetry equipment shall comply with requirements specified in PJM Manuals M-01 and M-14D.

SCHEDULE C

LIST OF LOCAL/NETWORK UPGRADES

Not Required.

SCHEDULE D

APPLICABLE TECHNICAL REQUIREMENTS AND STANDARDS

Not Required.

SCHEDULE E

WHOLESALE MARKET PARTICIPANT'S AGREEMENT TO CONFORM WITH IRS SAFE HARBOR PROVISIONS FOR NON-TAXABLE STATUS

As provided in Section 24.1 in Attachment O, Appendix 2 in Part VI of the Tariff and subject to the requirements thereof, Wholesale Market Participant represents that it meets all qualifications and requirements as set forth in Section 118(a) and 118(b) of the Internal Revenue Code of 1986, as amended and interpreted by Notice 2016-36, 2016-25 I.R.B. (6/20/2016) (the "IRS Notice"). Wholesale Market Participant agrees to conform with all requirements of the safe harbor provisions specified in the IRS Notice, as they may be amended, as required to confer non-taxable status on some or all of the transfer of property, including money, by Wholesale Market Participant to Transmission Owner with respect to the payment of the Costs of construction and installation of the Transmission Owner Interconnection Facilities specified in this WMPA.

Nothing in Wholesale Market Participant's agreement pursuant to this Schedule E shall change the indemnification obligations under Section 24.2 in Attachment O, Appendix 2 in Part VI of the Tariff.

SCHEDULE F

SCHEDULE OF NON-STANDARD TERMS & CONDITIONS

Not Required.

ATTACHMENT B

**Clean Tariff
Service Agreement No. 5860**

(PJM Queue #AF2-099)

WHOLESALE MARKET PARTICIPATION AGREEMENT
Among
PJM INTERCONNECTION, L.L.C.
And
SOLAMERICA ENERGY, LLC
And
MID-ATLANTIC INTERSTATE TRANSMISSION, LLC

WHOLESALE MARKET PARTICIPATION AGREEMENT

**By and Among
PJM Interconnection, L.L.C.**

And

SolAmerica Energy, LLC

And

**Mid-Atlantic Interstate Transmission, LLC
(PJM Queue Position #AF2-099)**

This Wholesale Market Participation Agreement (“WMPA”) including the Specifications, and Schedules attached hereto and incorporated herein, is entered into in order to effectuate sales of energy and/or capacity into PJM’s wholesale markets, by and between PJM Interconnection, L.L.C., the Regional Transmission Organization for the PJM Region (“Transmission Provider”), SolAmerica Energy, LLC (“Wholesale Market Participant”) and Mid-Atlantic Interstate Transmission, LLC (“Transmission Owner” or “MAIT”) (referred to individually as “Party” or collectively as “the Parties”).

WITNESSETH

WHEREAS, Wholesale Market Participant is developing generation that it intends to use to engage in Wholesale Transactions in PJM’s markets and desires to maintain its proposed generation in the queue that PJM studies for potential reliability impacts to the Transmission System;

WHEREAS, Wholesale Market Participant is seeking to interconnect at a local distribution or sub-transmission facility, which at this time is not subject to FERC jurisdiction; and

WHEREAS, Wholesale Market Participant and Transmission Owner or its affiliate must enter into a separate two-party interconnection agreement (“Interconnection Agreement”) in order to address issues of physical interconnection and local charges that may be presented by the interconnection of Wholesale Market Participant’s generation to the distribution facility.

NOW, THEREFORE, in consideration of the mutual covenants herein contained, together with other good and valuable consideration, the receipt and sufficiency is hereby mutually acknowledged by Transmission Provider, Transmission Owner and Wholesale Market Participant and the parties agree to assume all of the rights and obligations consistent with the rights and obligations relating to Network Upgrades, Local Upgrades and metering requirements set forth in Part VI of the Tariff, as of the effective date of this WMPA, required for Wholesale Market Participant to make Wholesale Transactions in PJM’s markets. The Parties mutually covenant and agree as follows:

Article 1 – DEFINITIONS and OTHER DOCUMENTS

- 1.0 Defined Terms.** All capitalized terms herein shall have the meanings as set forth in the definitions of such terms as stated in Part I, Article 1 or Part VI of the PJM Open Access Transmission Tariff (“Tariff”), except Wholesale Market Participant which shall be defined in this WMPA as a participant in a Wholesale Transaction.
- 1.1 Effective Date.** This WMPA shall become effective on the date it is executed by all Parties, or, if this WMPA is filed with FERC unexecuted, upon the date specified by FERC. This WMPA shall terminate on such date as mutually agreed upon by the parties, unless earlier terminated consistent with Section 1 in Attachment O, Appendix 2, Part VI of the Tariff.
- 1.2 Assumption of Tariff Obligations.** Wholesale Market Participant agrees to abide by all rules and procedures pertaining to generation and transmission in the PJM Region, including but not limited to the rules and procedures concerning the dispatch of generation or scheduling transmission set forth in the Tariff, the Operating Agreement and the PJM Manuals.
- 1.3 Incorporation Of Other Documents.** All portions of the Tariff and the Operating Agreement pertinent to the subject matter of this WMPA and not otherwise made a part hereof are hereby incorporated herein and made a part hereof.

Article 2 - NOTICES and MISCELLANEOUS

- 2.0 Notices.** Any notice, demand or request required or permitted to be given by any Party to another and any instrument required or permitted to be tendered or delivered by any Party in writing to another may be so given, tendered or delivered by recognized national courier or by depositing the same with the United States Postal Service, with postage prepaid for delivery by certified or registered mail addressed to the Party, or by personal delivery to the Party, at the address specified below. Such notices, if agreed to by the Parties, may be made via electronic means, with e-mail confirmation of delivery.

Transmission Provider:

PJM Interconnection, L.L.C.
2750 Monroe Blvd.
Audubon, PA 19403-2497

Wholesale Market Participant:

SolAmerica Energy, LLC
190 Ottley Drive N.E., Studio H
Atlanta, Georgia 30324

Attn: Katie Kearney
kkearney@solamericaenergy.com
Transmission Owner:

Mid-Atlantic Interstate Transmission, LLC
76 South Main Street
A-GO-10
Akron, OH 44308
Attn: Mike Thorn, FERC & Wholesale Connection Support Manager
mthorn@firstenergycorp.com
(330) 384-3889

Nikhil Rao-Associate General Counsel
FirstEnergy Service Company
76 South Main Street
A-GO-15
Akron, OH 44308
pnrao@firstenergycorp.com
(330) 384-2422

Tricia Hartzell-Legal Specialist
FirstEnergy Service Company
76 South Main Street
A-GO-15
Akron, OH 44308
thartzell@firstenergycorp.com
(330) 761-4426

With copies to:
FirstEnergy Service Company
Legal Department
76 South Main Street
A-GO-15
Akron, OH 44308
Attn: Attorney for FERC & Wholesale Connection Support

Either Party may change its address or designated representative for notice by notice to the other Parties in the manner provided for above.

- 2.1 Construction With Other Parts Of The Tariff.** This WMPA shall not be construed as an application for service under Part II or Part III of the Tariff.
- 2.2 Warranty for Facilities Study.** In analyzing and preparing the System Impact Study, and in designing and constructing the Local Upgrades and/or Network Upgrades described in Part II of the Tariff and in the Specifications attached to this WMPA, Transmission Provider, the Transmission Owner(s), and any other subcontractors

employed by Transmission Provider have had to, and shall have to, rely on information provided by Wholesale Market Participant and possibly by third parties and may not have control over the accuracy of such information. Accordingly, NEITHER TRANSMISSION PROVIDER, THE TRANSMISSION OWNER(s), NOR ANY OTHER SUBCONTRACTORS EMPLOYED BY TRANSMISSION PROVIDER OR TRANSMISSION OWNER MAKES ANY WARRANTIES, EXPRESS OR IMPLIED, WHETHER ARISING BY OPERATION OF LAW, COURSE OF PERFORMANCE OR DEALING, CUSTOM, USAGE IN THE TRADE OR PROFESSION, OR OTHERWISE, INCLUDING WITHOUT LIMITATION IMPLIED WARRANTIES OF MERCHANTABILITY AND FITNESS FOR A PARTICULAR PURPOSE, WITH REGARD TO THE ACCURACY, CONTENT, OR CONCLUSIONS OF THE FACILITIES STUDY OR THE SYSTEM IMPACT STUDY IF A FACILITIES STUDY WAS NOT REQUIRED OR OF THE LOCAL UPGRADES AND/OR THE NETWORK UPGRADES, PROVIDED, HOWEVER, that Transmission Provider warrants that the Transmission Owner Facilities described in the Specifications will be designed and constructed (to the extent that Transmission Owner is responsible for design and construction thereof) and operated in accordance with Good Utility Practice, as such term is defined in the Operating Agreement. Wholesale Market Participant acknowledges that it has not relied on any representations or warranties not specifically set forth herein and that no such representations or warranties have formed the basis of its bargain hereunder.

2.3 Waiver. No waiver by any party of one or more defaults by the other in performance of any of the provisions of this WMPA shall operate or be construed as a waiver of any other or further default or defaults, whether of a like or different character.

2.4 Amendment. This WMPA or any part thereof, may not be amended, modified, or waived other than by a written document signed by all parties hereto.

2.5 Addendum of Wholesale Market Participant's Agreement to Conform with IRS Safe Harbor Provisions for Non-Taxable Status. To the extent required, in accordance with Section 24.1 in Attachment O, Appendix 2 in Part VI of the Tariff, Schedule E to this WMPA shall set forth the Wholesale Market Participant's agreement to conform with the IRS safe harbor provisions for non-taxable status.

2.6 Assignment

2.6.1 Assignment with Prior Consent:

If the Interconnection Agreement between the Wholesale Market Participant and the Transmission Owner, as referenced in section 3.1.4 herein, provides that such Interconnection Agreement may be assigned, and such Interconnection Agreement was assigned, then, except as provided in Section 2.6.2 of this WMPA, no Party shall assign its rights or delegate its duties under this WMPA without the prior written consent of the other Parties, which consent shall not be unreasonably withheld, conditioned, or delayed; and any such assignment or delegation made without such prior written consent shall be null and void. A Party may make an assignment in connection with the sale, merger, or

transfer of all of its properties, including the Participant Facility, which it owns, so long as the assignee in such a sale, merger, or transfer assumes in writing all rights, duties and obligations arising under this WMPA. In addition, the Transmission Owner shall be entitled, subject to applicable laws and regulations, to assign the WMPA to an Affiliate or successor that owns and operates all or a substantial portion of the Transmission Owner's transmission facilities.

2.6.2 Assignment without Prior Consent

2.6.2.1 Assignment to Owners:

If the Interconnection Agreement between the Wholesale Market Participant and the Transmission Owner, as referenced in section 3.1.4 herein, provides that such Interconnection Agreement may be assigned, and such Interconnection Agreement was assigned, then the Wholesale Market Participant may assign its rights or delegate its duties under this WMPA without the Transmission Owner's or Transmission Provider's prior consent to any Affiliate or person that purchases or otherwise acquires, directly or indirectly, all of the Participant Facility, provided that prior to the effective date of any such assignment: (1) the assignee shall demonstrate that, as of the effective date of the assignment, the assignee has the technical and operational competence to comply with the requirements of this WMPA; and (2) in writing to the Transmission Owner and Transmission Provider, assignee assumes all rights, duties, and obligations of Wholesale Market Participant arising under this WMPA. However, any assignment described herein shall not relieve or discharge the Wholesale Market Participant from any of its obligations hereunder absent the written consent of the Transmission Provider, such consent not to be unreasonably withheld, conditioned or delayed.

2.6.2.2 Assignment to Lenders:

If the Interconnection Agreement between the Wholesale Market Participant and the Transmission Owner, as referenced in section 3.1.4 herein, provides that such Interconnection Agreement may be assigned to any Project Finance Entity(ies), and such Interconnection Agreement was assigned, then the Wholesale Market Participant may, without consent of the Transmission Provider or the Transmission Owner, assign this WMPA to such Project Finance Entity(ies), provided that such assignment does not alter or diminish Wholesale Market Participant's duties and obligations under this WMPA. If Wholesale Market Participant provides the Transmission Owner and Transmission Provider with notice of an assignment to such Project Finance Entity(ies) and identifies such Project Finance Entity(ies) as a contact for notice of Breach consistent with section 15.3 of Attachment O, Appendix 2 in Part VI of the Tariff, the Transmission Provider or Transmission Owner shall provide notice and reasonable opportunity for such Project Finance Entity(ies) to cure any Breach under this WMPA in accordance with this WMPA. Transmission Provider or Transmission Owner shall, if requested by such Project Finance Entity(ies),

provide such customary and reasonable documents, including consents to assignment, as may be reasonably requested with respect to the assignment and status of this WMPA, provided that such documents do not alter or diminish the rights of the Transmission Provider or Transmission Owner under this WMPA, except with respect to providing notice of Breach consistent with section 15.3 of Attachment O, Appendix 2 in Part VI of the Tariff, to such Project Finance Entity(ies). Upon presentation of the Transmission Provider and/or Transmission Owner's invoice therefor, Wholesale Market Participant shall pay the Transmission Provider and/or the Transmission Owner's reasonable documented cost of providing such documents and certificates as requested by such Project Finance Entity(ies). Any assignment described herein shall not relieve or discharge the Wholesale Market Participant from any of its obligations hereunder absent the written consent of the Transmission Owner and Transmission Provider.

2.6.3 Successors and Assigns:

This WMPA and all of its provisions are binding upon, and inure to the benefit of, the Parties and their respective successors and permitted assigns.

ARTICLE 3 – Responsibility for Network or Local Upgrades

- 3.0 Security for Network or Local Upgrades.** Consistent with Section 212.4 in Part VI of the Tariff, Wholesale Market Participant, on or before the effective date of this WMPA, shall provide the Transmission Provider (for the benefit of the Transmission Owner) with a letter of credit from an agreed provider or other form of security reasonably acceptable to the Transmission Provider and that names the Transmission Provider as beneficiary (“Security”) in the amount of \$0. This amount represents the sum of the estimated Costs, determined consistent with Section 217 in Part VI of the Tariff, of (i) the Local Upgrades and/or Network Upgrades less any Costs already paid by the Wholesale Market Participant. Should Wholesale Market Participant fail to provide Security in the amount or form required in the first sentence of this Section, this WMPA shall be terminated. Wholesale Market Participant acknowledges that its ultimate cost responsibility consistent with Section 217 in Part VI of the Tariff will be based upon the actual Costs of the facilities described in the Specifications to this WMPA, whether greater or lesser than the amount of the Security provided under this Section.
- 3.1 Project Specific Milestones.** During the term of this WMPA, Wholesale Market Participant shall ensure that it meets each of the following milestones:
- 3.1.1 Substantial Site work completed.** On or before April 30, 2022
Wholesale Market Participant must demonstrate completion of at least 20% of project site construction.
- 3.1.2 Commercial Operation.** (i) On or before September 30, 2022, Wholesale Market Participant must demonstrate commercial operation of all generating units; (ii) On or before September 30, 2022, Wholesale Market Participant must demonstrate commercial sale or use of energy and, if applicable obtain capacity qualification consistent with the requirements of the Reliability Assurance Agreement Among Load Serving Entities in the PJM Region.
- 3.1.3 Documentation.** Within one (1) month following commercial operation of generating unit(s), Wholesale Market Participant must provide certified documentation demonstrating that “as-built” Participant Facility are consistent with applicable PJM studies and agreements. Wholesale Market Participant must also provide PJM with “as-built” electrical modeling data or confirm that previously submitted data remains valid.
- 3.1.4 Interconnection Agreement.** On or before October 31, 2021, Wholesale Market Participant must enter into an Interconnection Agreement with the Transmission Owner in order to effectuate the WMPA. This WMPA shall automatically terminate upon the termination of the two-party Interconnection Agreement between the Wholesale Market Participant and Transmission Owner.

Wholesale Market Participant shall demonstrate the occurrence of each of the foregoing milestones to Transmission Provider's reasonable satisfaction. Transmission Provider may reasonably extend any such milestone dates, in the event of delays that Wholesale Market Participant (i) did not cause and (ii) could not have remedied through the exercise of due diligence.

If (i) the Wholesale Market Participant suspends work pursuant to a suspension provision contained in an interconnection and/or construction agreement with the Transmission Owner or (ii) the Transmission Owner extends the date by which Wholesale Market Participant must enter into an interconnection agreement relative to this WMPA, and (iii) the Wholesale Market Participant has not made a wholesale sale under this WMPA, the Wholesale Market Participant may suspend this WMPA by notifying the Transmission Provider and the Transmission Owner in writing that it wishes to suspend this WMPA, with the condition that, notwithstanding such suspension, the Transmission System shall be left in a safe and reliable condition in accordance with Good Utility Practice and Transmission Provider's safety and reliability criteria. Wholesale Market Participant's notice of suspension shall include an estimated duration of the suspension period and other information related to the suspension. Pursuant to this section 3.1, Wholesale Market Participant may request one or more suspensions of work under this WMPA for a cumulative period of up to a maximum of three years. If, however, the suspension will result in a Material Modification as defined in Part I, Section 1.18A.02 of the Tariff, then such suspension period shall be no greater than one (1) year. If the Wholesale Market Participant suspends this WMPA pursuant to this Section 3.1 and has not provided written notice that it will exit such suspension on or before the expiration of the suspension period described herein, this WMPA shall be deemed terminated as of the end of such suspension period. The suspension time shall begin on the date the suspension is requested or on the date of the Wholesale Market Participant's written notice of suspension to Transmission Provider, if no effective date was specified. All milestone dates stated in this Section 3.1 shall be deemed to be extended coextensively with any suspension period permitted pursuant to this provision.

IN WITNESS WHEREOF, Transmission Provider, Wholesale Market Participant and Transmission Owner have caused this WMPA to be executed by their respective authorized officials. By each individual signing below, each represents to the other that they are duly authorized to sign on behalf of their company and have the actual and/or apparent authority to bind the respective company to this WMPA.

(PJM Queue Position #AF2-099)

Transmission Provider: **PJM Interconnection, L.L.C.**

By: _____
Name Title Date

Printed name of signer: _____

Wholesale Market Participant: **SolAmerica Energy, LLC**

By: _____
Name Title Date

Printed name of signer: _____

Transmission Owner: **Mid-Atlantic Interstate Transmission, LLC**

By: _____
Name Title Date

Printed name of signer: _____

All signature lines intentionally left blank – See Agreement to Amend executed by the parties effective July 2, 2021

**SPECIFICATIONS FOR
WHOLESALE MARKET PARTICIPATION AGREEMENT
By and Among
PJM INTERCONNECTION, L.L.C.
And
SOLAMERICA ENERGY, LLC
And
MID-ATLANTIC INTERSTATE TRANSMISSION, LLC
(PJM Queue Position #AF2-099)**

1.0 Description of generating unit(s) (the “Participant Facility” or “Participant’s Facility”) to be used for the provision of wholesale sales into the PJM markets:

a. Name of Participant Facility:

PA York Garber 2

b. Location of Participant Facility:

1750 Taxville Road
York, PA 17408
Grid Coordinates: 39.957469, -76.800286
York County
(Meted zone)

c. Size in megawatts of Participant Facility:

Maximum Facility Output of 3 MW

d. Description of the equipment configuration:

A ground mounted, inverter based, solar photovoltaic generating facility consisting of solar arrays and step up transformation with a high side voltage of 12.47 kV.

2.0 Rights for Generation Wholesale Market Participant

2.1 Capacity Interconnection Rights:

Consistent with the applicable terms of the Tariff, the Wholesale Market Participant shall have Capacity Interconnection Rights at the point(s) of interconnection specified in Schedule A of this Wholesale Market Participant Agreement in the amount of 1.8 MW; provided however, nothing in this WMPA provides any rights with regard to the use of distribution facilities.

Pursuant to and subject to the applicable terms of the Tariff, the Wholesale Market Participant shall have Capacity Interconnection Rights at the Point(s) of Interconnection specified in this Wholesale Market Participation Agreement in the amount of 1.8 MW commencing June 1, 2023. During the time period from the effective date of this WMPA until May 31, 2023 (the “interim time period”), the Wholesale Market Participant may be awarded interim Capacity Interconnection Rights in an amount not to exceed 1.8 MW. The availability and amount of such interim Capacity Interconnection Rights shall be dependent upon completion and results of an interim deliverability study. Any interim Capacity Interconnection Rights awarded during the interim time period shall terminate on May 31, 2023.

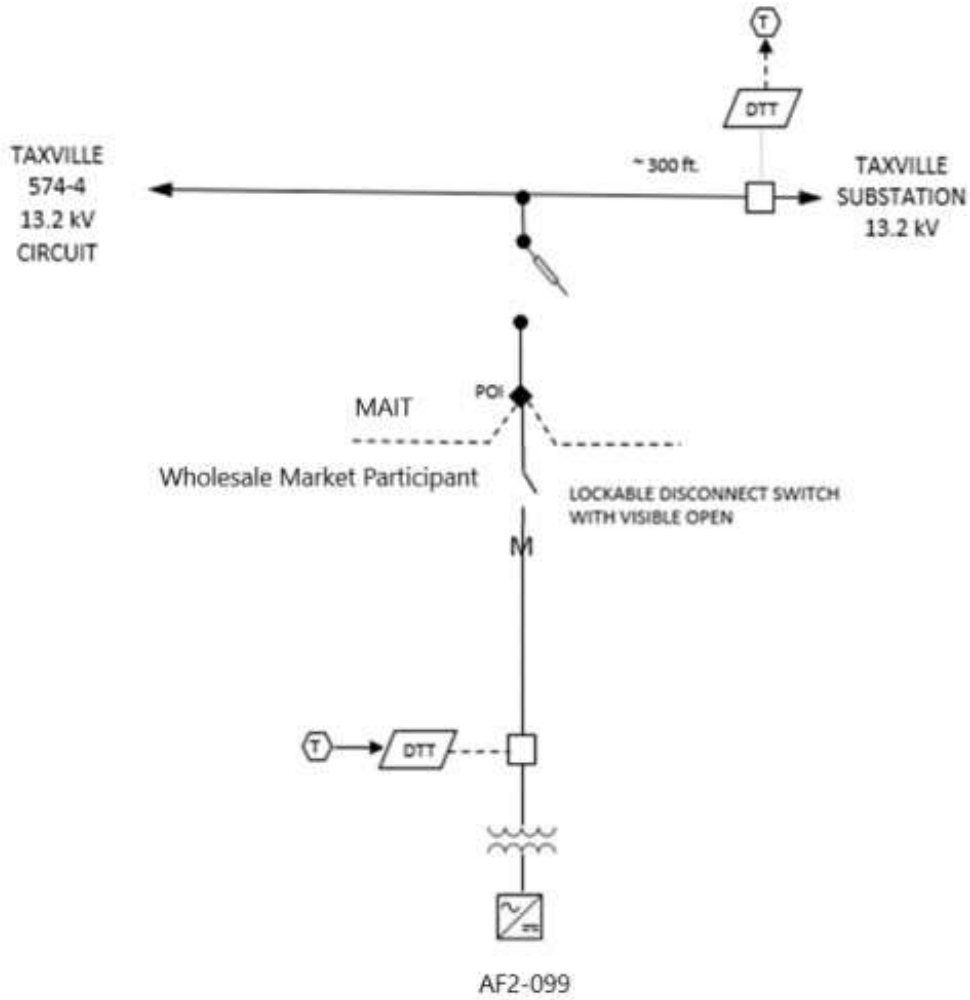
To the extent that any portion of the Participant Facility described in Section 1.0 is not a Capacity Resource with Capacity Interconnection Rights, such portion of the Participant Facility shall be an Energy Resource. Pursuant to this WMPA, the Wholesale Market Participant may sell energy into PJM’s markets in an amount equal to the Participant Facility’s Maximum Facility Output indicated in Section 1.0c of the Specifications for this WMPA. PJM reserves the right to limit injections in the event reliability would be affected by output greater than such quantity.

3.0 Ownership and Location of Metering Equipment. The metering equipment to be constructed, the capability of the metering equipment to be constructed, and the ownership thereof, as required for the Wholesale Transactions shall be identified on the attached Schedule B to this WMPA, and provided consistent with the PJM manuals.

SCHEDULES:

- **SCHEDULE A - SINGLE-LINE DIAGRAM (Showing point of interconnection)**
- **SCHEDULE B - LIST OF METERING EQUIPMENT**
- **SCHEDULE C - LIST OF LOCAL/NETWORK UPGRADES**
- **SCHEDULE D - APPLICABLE TECHNICAL REQUIREMENTS AND STANDARDS**
- **SCHEDULE E - WHOLESALE MARKET PARTICIPANT AGREEMENT TO CONFORM WITH IRS SAFE HARBOR PROVISIONS FOR NON-TAXABLE STATUS**
- **SCHEDULE F – SCHEDULE OF NON-STANDARD TERMS & CONDITIONS**

SCHEDULE A
SINGLE-LINE DIAGRAM



◆ = POI (POINT OF INTERCONNECTION) LOCATED NEAR 226635C22918, ON CUSTOMERS SIDE OF POI

M = REVENUE METERING FOR INTERCONNECTION CUSTOMER IS OWNED, OPERATED, AND MAINTAINED BY INTERCONNECTION CUSTOMER

SCHEDULE B

LIST OF METERING EQUIPMENT

Wholesale Market Participant's metering and telemetry equipment shall comply with requirements specified in PJM Manuals M-01 and M-14D.

SCHEDULE C

LIST OF LOCAL/NETWORK UPGRADES

Not Required.

SCHEDULE D

APPLICABLE TECHNICAL REQUIREMENTS AND STANDARDS

Not Required.

SCHEDULE E

WHOLESALE MARKET PARTICIPANT'S AGREEMENT TO CONFORM WITH IRS SAFE HARBOR PROVISIONS FOR NON-TAXABLE STATUS

As provided in Section 24.1 in Attachment O, Appendix 2 in Part VI of the Tariff and subject to the requirements thereof, Wholesale Market Participant represents that it meets all qualifications and requirements as set forth in Section 118(a) and 118(b) of the Internal Revenue Code of 1986, as amended and interpreted by Notice 2016-36, 2016-25 I.R.B. (6/20/2016) (the "IRS Notice"). Wholesale Market Participant agrees to conform with all requirements of the safe harbor provisions specified in the IRS Notice, as they may be amended, as required to confer non-taxable status on some or all of the transfer of property, including money, by Wholesale Market Participant to Transmission Owner with respect to the payment of the Costs of construction and installation of the Transmission Owner Interconnection Facilities specified in this WMPA.

Nothing in Wholesale Market Participant's agreement pursuant to this Schedule E shall change the indemnification obligations under Section 24.2 in Attachment O, Appendix 2 in Part VI of the Tariff.

SCHEDULE F

SCHEDULE OF NON-STANDARD TERMS & CONDITIONS

Not Required.

ATTACHMENT C

Executed Agreement to Amend

AGREEMENT TO AMEND
By and Among
PJM Interconnection, L.L.C
And
SolAmerica Energy, LLC
And
Mid-Atlantic Interstate Transmission, LLC
(PJM Queue Position #AF2-099)

This AGREEMENT TO AMEND (“Agreement to Amend”) is entered into by and among PJM Interconnection, L.L.C. (“PJM” or “Transmission Provider”), SolAmerica Energy, LLC (“Wholesale Market Participant”), and Mid-Atlantic Interstate Transmission, LLC (“Transmission Owner”) (each, individually a “Party,” and collectively, the “Parties”).

RECITALS

WHEREAS, PJM, SolAmerica Energy, LLC and Mid-Atlantic Interstate Transmission, LLC are parties to the following service agreement(s): Wholesale Market Participation Agreement (the “Service Agreement”), filed with and accepted by the Federal Energy Regulatory Commission in Docket No. ER21-598-000, designated as follows:

Type of Service Agreement(s)	Service Agreement Number	Parties to the Agreement	Effective Date
Wholesale Market Participation Agreement	5860	PJM, SolAmerica Energy, LLC and Mid-Atlantic Interstate Transmission, LLC	November 10, 2020

WHEREAS, Section 2.4 of the Wholesale Market Participation Agreement provides that the Service Agreement(s), or any part thereof, may not be amended, modified, or waived other than by a written document signed by all parties to the Service Agreement(s); and

WHEREAS, by this Agreement to Amend, the Parties intend to amend the Service Agreement(s) to reflect and describe the changes listed in Appendix A hereto.

NOW, THEREFORE, for good and valuable consideration, the receipt of which is hereby acknowledged, and intending to be legally bound, the Parties hereto, hereby agree as follows:

1. **Capitalized Terms.** Capitalized terms not otherwise defined herein shall have the meaning assigned to such terms in the Service Agreement(s).
2. **Consent to Amendment(s).** The Parties hereby agree to amend the aforementioned Service Agreement(s) by making the changes listed in Appendix A hereto and the amendments will not change the effective date of the Service Agreement(s), unless otherwise agreed to by the Parties. The Parties authorize PJM to file the amended Service Agreement(s) with the Commission without the necessity of additional signatures from SolAmerica Energy, LLC and Mid-Atlantic Interstate Transmission, LLC.

3. Counterparts. This Agreement to Amend may be executed in one or more counterparts, each of which when so executed and delivered shall be an original but all of which shall together constitute one and the same instrument.

Except as set forth in this Agreement to Amend, the Service Agreement(s) is unaffected and shall continue in full force and effect in accordance with its terms. If there is conflict between this Agreement to Amend and the Service Agreement(s) or any earlier amendment(s), the terms of this Agreement to Amend will prevail.

IN WITNESS WHEREOF, the Parties hereto have executed this Agreement to Amend, which shall become effective on the date that it is fully executed by all Parties. By each individual signing below, each represents to the others that they are duly authorized to sign on behalf of that company and have the actual and/or apparent authority to bind the respective company to this Agreement to Amend.

(PJM Queue Position #AF2-099)

Transmission Provider: PJM Interconnection, L.L.C.

By: Augustine Caven Mgr., Infrastructure Coord. 7/2/2021
Name Title Date

Printed name of signer: Augustine Caven

Wholesale Market Participant: SolAmerica Energy, LLC

By: R. Stanley Allen CEO 7/1/2021
Name Title Date

Printed name of signer: R. Stanley Allen

Transmission Owner: Mid-Atlantic Interstate Transmission, LLC

By: Gregory F. Hussing Dir FERC & RTO Support 7/2/2021
Name Title Date

Printed name of signer: Gregory F. Hussing

APPENDIX A

Section Changed	Changed From	Changed To	Explanation
2.0 Notices	Wholesale Market Participant: SolAmerica Energy, LLC 1819 Peachtree Road NW Suite 100 Atlanta, Georgia 30309 Attn: Katie Kearney kkearney@solamericaenergy.com	Wholesale Market Participant: SolAmerica Energy, LLC 190 Ottley Drive N.E., Studio H Atlanta, Georgia 30324 Attn: Katie Kearney kkearney@solamericaenergy.com	Change of address.